

3-Point latching system latch

商品介紹 Product description

- 1.可單點或兩點以上鎖定，透過手柄旋轉即可開關鎖。
- 2.連桿傳動行程：上下端各16mm。

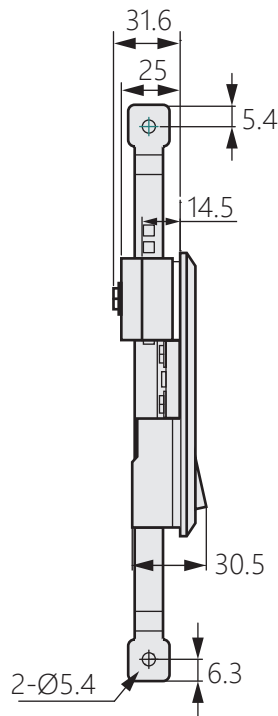
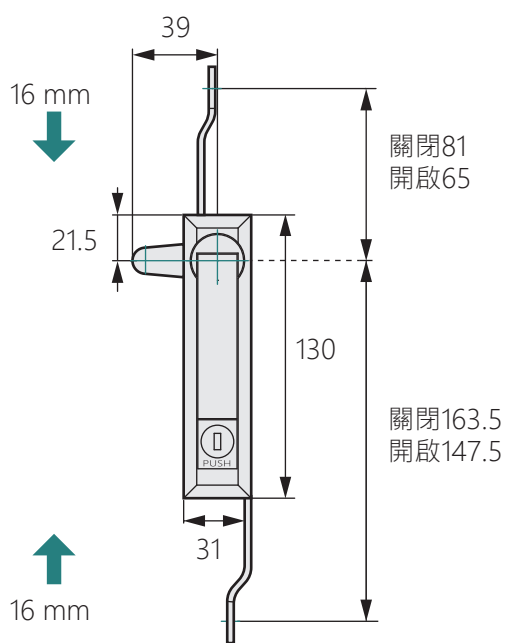


- 材質：鋅合金(ZDC)
- 表面處理：黑色塗裝、銀色塗裝
- 用途：配分電盤、機械設備等

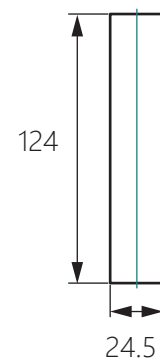
1. It can be locked at one point or more than two points, and the lock can be opened and closed by rotating the handle.
2. Connecting rod transmission stroke: 16mm at the upper and lower ends.

- Material: Zinc alloy(ZDC)
- Finish: Black painting, silver painting
- Uses: Distribution and distribution panels, mechanical equipment, etc.

[TM-838-1]

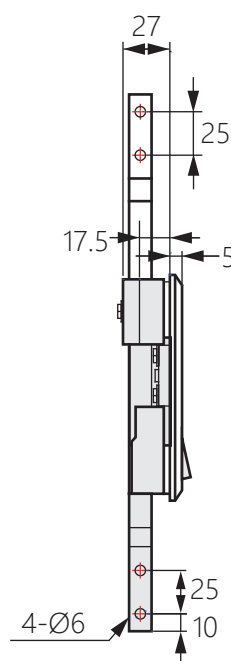
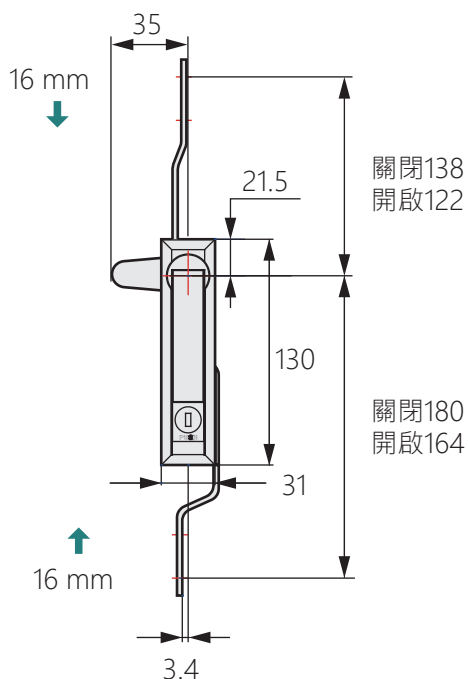


開孔尺寸



商品型號	顏色
TM-838-1	黑色烤漆
TM-838-2	銀色塗裝

[TM-838-2]



開孔尺寸

