

三點式天地連桿型門鎖



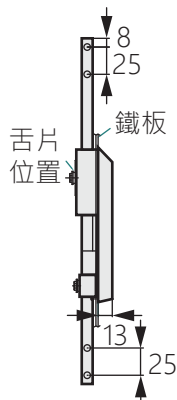
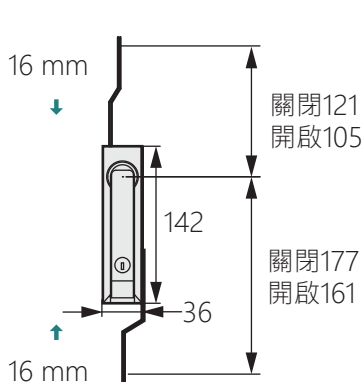
TM-828

3-Point latching system latch



[TM-828-2]

[TM-828-1]



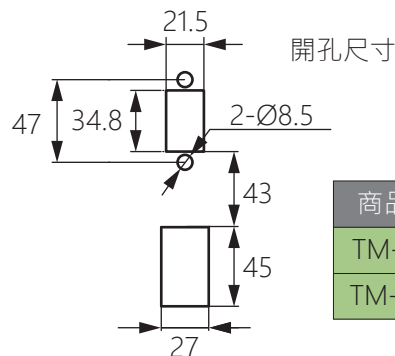
商品介紹 Product description

- 1.可單點或兩點以上鎖定的門鎖，透過手柄旋轉對其進行上鎖或開鎖。
- 2.連桿傳動形成，上下端各16mm。

- 材質：鋅合金(ZDC)
- 表面處理：黑色塗裝、銀色塗裝
- 用途：配分電盤、機械設備等

1. It enables single, two or more locks to be lockable and unlockable by turning one handle.
2. The connecting rod transmission is formed, and the upper and lower ends are each 16mm.

- Material: Zinc alloy(ZDC)
- Finish: Black painting/Silver painting
- Uses: Distribution and distribution panels, mechanical equipment,etc.



商品型號	表面處理
TM-828-1	銀色塗裝
TM-828-2	黑色烤漆