

# T型手柄式防水門扣



TM-7146

T-Shaped handle waterproof cam latch

商品介紹 Product description

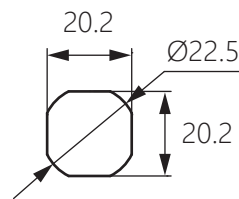
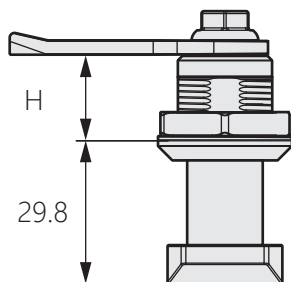
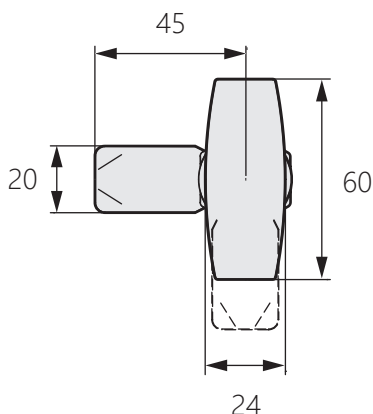
- 1.防水設計：內部設置 O 型環，外部使用防水墊片
- 2.適用板厚：1-6mm

- 材質：鋅合金
- 表面處理：黑色塗裝
- 檔片選擇：TH-4500-S, TH-4500  
TH-4507-S, TH-4507  
TH-4516-S, TH-4516

- 用途：機櫃、配分電盤、機械設備

1. Waterproof design: O-ring is set inside and waterproof gasket is used outside.
2. Applicable board thickness: 1-8mm.

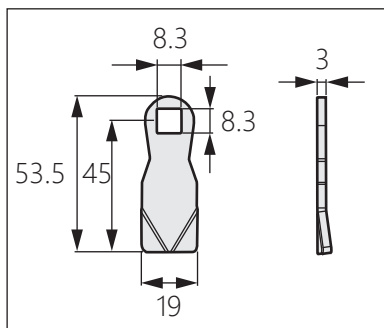
- Material: Zinc alloy
- Finish: Black painting
- File selection: TH-4500-S, TH-4500  
TH-4507-S, TH-4507  
TH-4516-S, TH-4516
- Uses: Cabinets, distribution and distribution panels, mechanical equipment.



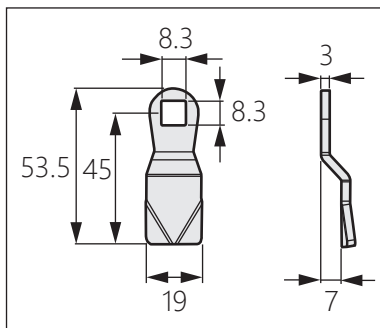
開孔尺寸

擋片型號	擋片深度H
TH-4500	18
TH-4507	25
TH-4516	35

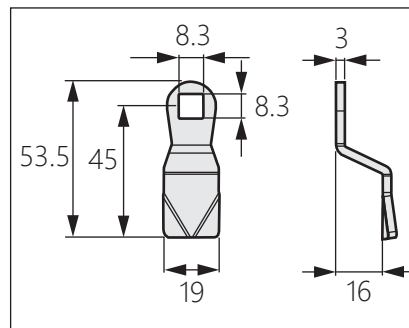
[ TH-4500-S ]  
[ TH-4500 ]



[ TH-4507-S ]  
[ TH-4507 ]



[ TH-4516-S ]  
[ TH-4516 ]



商品型號	材質
TH-4500	鐵
TH-4500-S	不鏽鋼

商品型號	材質
TH-4507	鐵
TH-4507-S	不鏽鋼

商品型號	材質
TH-4516	鐵
TH-4516-S	不鏽鋼