

Quarter turn waterproof lock

商品介紹 Product description

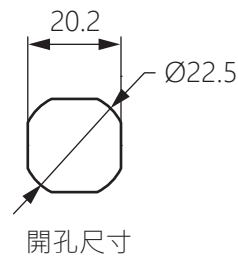
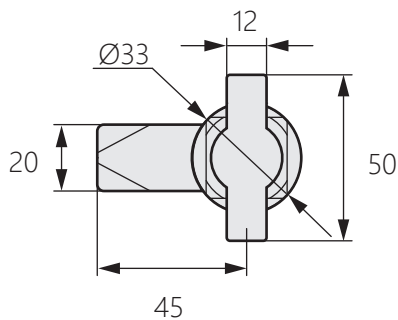
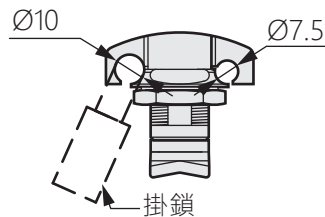
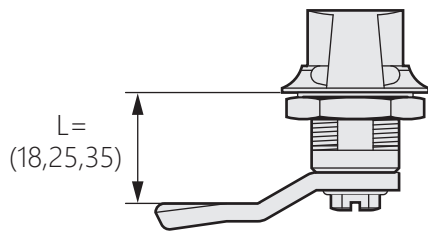
1. 防水設計：內部設置 O 型環，外部使用防水墊片。
2. 可自行加裝掛鎖，增加防盜性。



- 材質：鋅合金(ZDC)、不鏽鋼
- 表面處理：黑色塗裝、髮絲紋拋光
- 檔片選擇：TH-4500-S, TH-4500
TH-4507-S, TH-4507
TH-4516-S, TH-4516
- 用途：機櫃、配分電盤、機械設備

1. Waterproof design: O-ring is set inside and waterproof gasket is used outside.
2. Can install a padlock by yourself to increase the anti-theft.

- Material: Zinc alloy(ZDC)、Stainless steel
- Finish: Black painting、Hairline polishing
- File selection: TH-4500-S, TH-4500
TH-4507-S, TH-4507
TH-4516-S, TH-4516
- Uses: Cabinets, distribution and distribution panels, mechanical equipment.

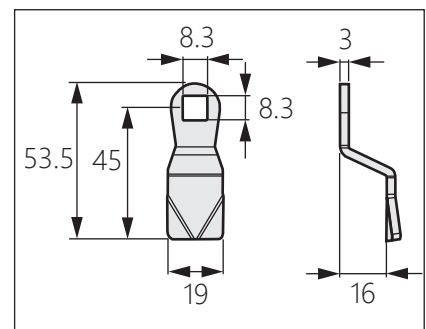
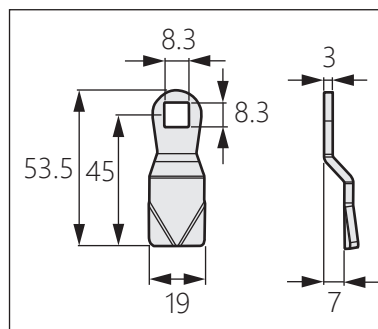
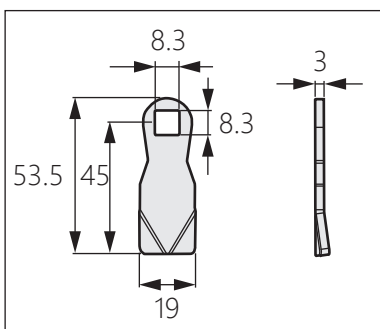


商品型號	材質
TM-7143-1	不鏽鋼
TM-7143-2	鋅合金

[TH-4500-S]
[TH-4500]

[TH-4507-S]
[TH-4507]

[TH-4516-S]
[TH-4516]



商品型號	材質
TH-4500	鐵
TH-4500-S	不鏽鋼

商品型號	材質
TH-4507	鐵
TH-4507-S	不鏽鋼

商品型號	材質
TH-4516	鐵
TH-4516-S	不鏽鋼