

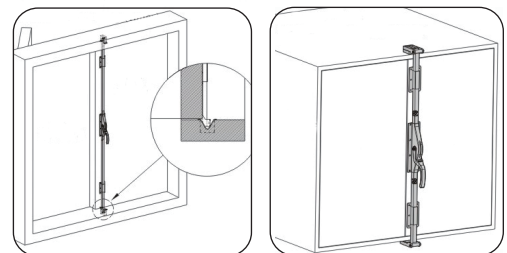
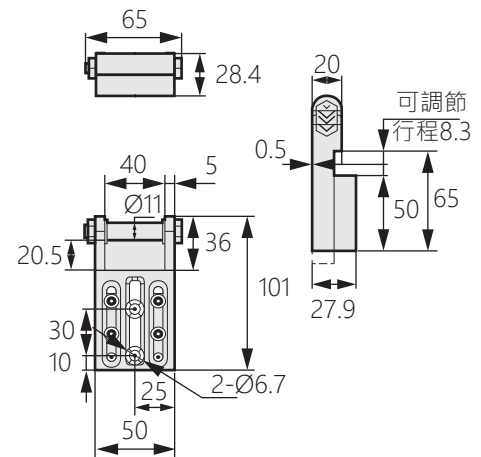
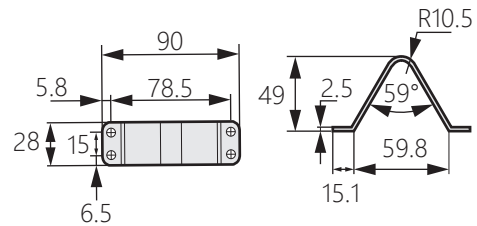
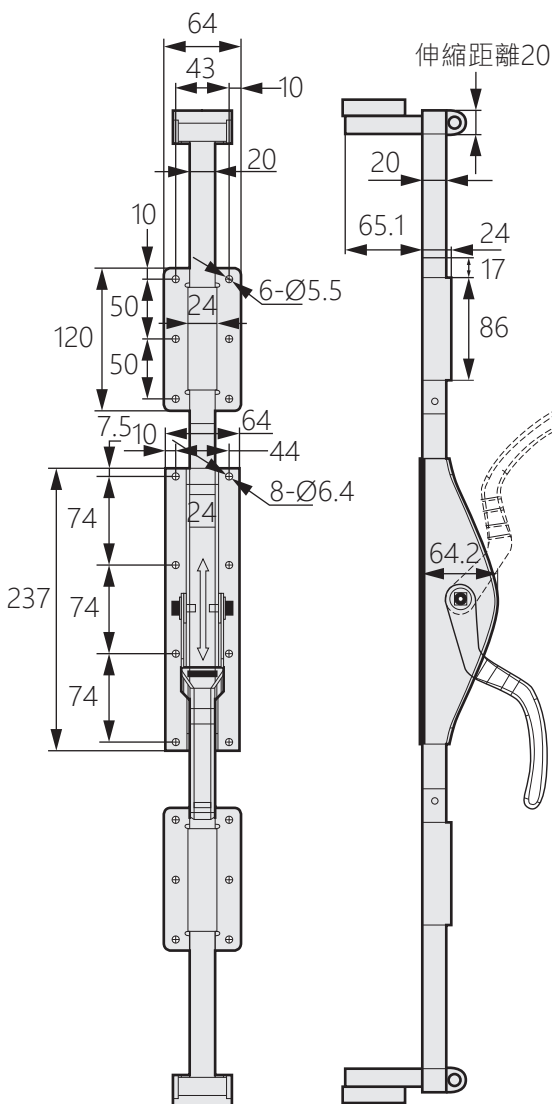
1. 通過調節座子，可實現密閉壓縮門功能。
2. 上推開門，下拉關門。

- 材質：不鏽鋼SUS304
- 表面處理：鏡面拋光
- 用途：大型高底溫試驗箱、冷凍庫等
- 備註：1. 配兩個鎖桿固定座(TH-387-1, TH-387-2)  
擇一和保持架TH-387-3
- 2. 需自配不鏽鋼方鋼



1. The function of airtight compression door can be realized by adjusting the seat.
2. Push up to open the door and pull down to close.

- Material: Stainless steel(SUS304)
- Finish: Mirror reflection
- Uses: Large-scale high-bottom temperature test chamber, freezer, etc.
- Notes: 1. Equipped with two lock rod holders (TH-387-1, TH-387-2) alternative and retainer TH-387-3. 2. Need to be equipped with stainless steel square steel.



商品型號	品名	內含數量
TH-387-1	固定座	2
TH-387-2	固定座	2
TH-387-3	保持架	2