

圓形拉環式門鎖



TM-307

Round pull-type door lock



商品介紹 Product description

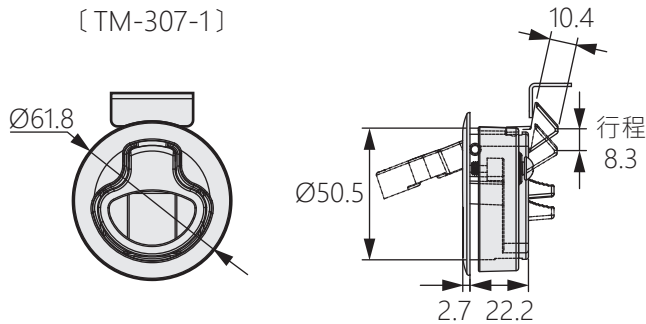
左右兼用型・拉起把手即開啟。

- 材質：不鏽鋼
- 表面處理：鏡面拋光
- 用途：自動化設備、醫療設備、船舶

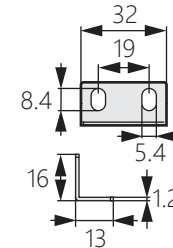
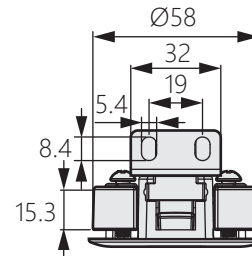
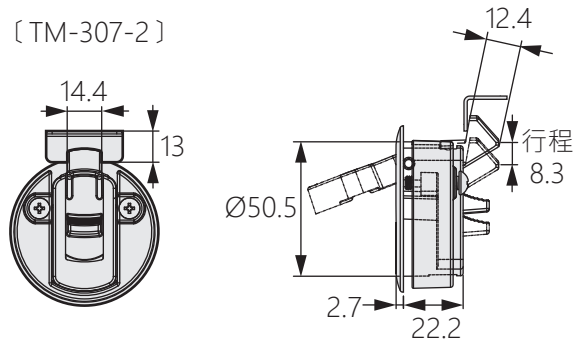
Left and right type, pull up the handle to open.

- Material:Stainless steel
- Finish: Mirror polished
- Uses: Automation equipment, medical equipment, ships.

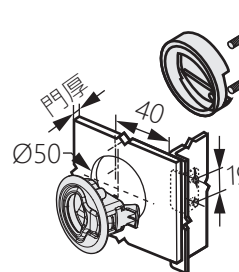
[TM-307-1]



[TM-307-2]



[TM-307-1] [TM-307-2]



商品型號	檔架規格
TM-307-1	薄型
TM-307-2	厚型