

J型把手鎖



TM-2140

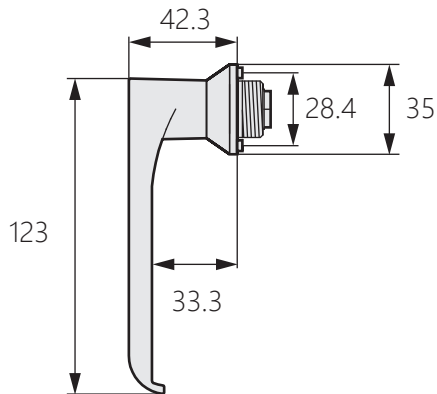
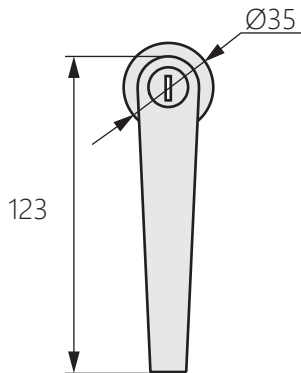
J type handle lock



商品介紹 Product description

- 材質：不鏽鋼316脫蠟鑄造
- 表面處理：鏡面拋光
- 用途：半導體工程、機械門鎖、電控箱等

- Material: Stainless steel 316 dewaxing casting
- Finish: Mirror polishing
- Uses: Semiconductor engineering, mechanical door locks, electric control boxes, etc.



商品型號	規格
TM-2140-1	附鎖
TM-2140-2	無鎖