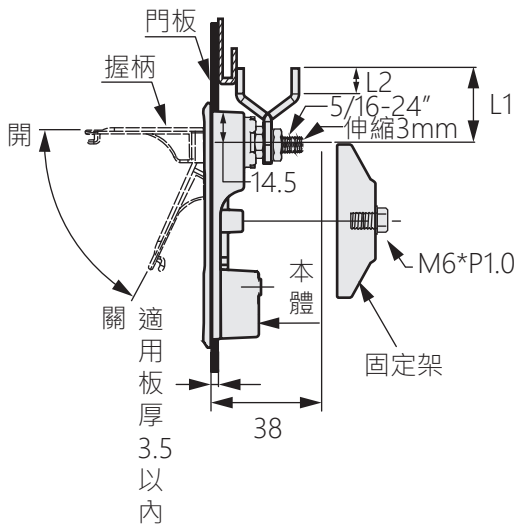
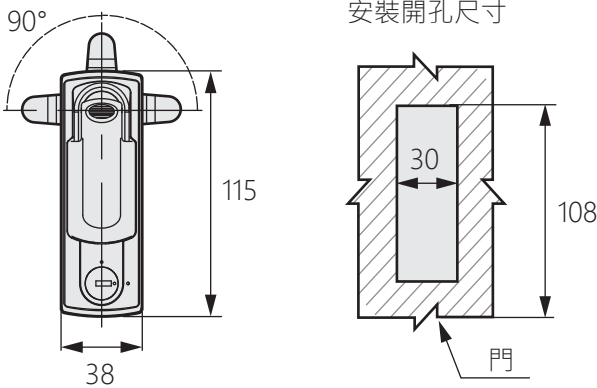
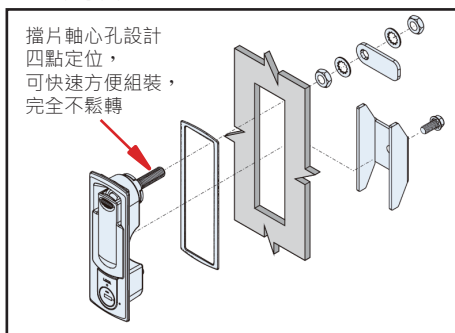


Forced door lock

[ TM-191 ]  
[ TM-192 ]  
[ TM-193 ]



安裝示意圖



商品型號	擋片型式	安裝孔與門框建議距離(E)
TM-191	TH-14~TH-19 TH-44/TH-45	8-10
TM-192	TH-14/TH-15 TH-16	11-13
TM-193	TH-17/TH-18 TH-19	26-28

商品介紹 Product description

- 1.開啟：擋片可垂直後退3mm，使握柄迴轉順暢
- 2.關門：擋片可垂直前移3mm，使門板與箱體迫緊不鬆動
- 3.左、右、上三方向兼用型
- 4.耐熱、耐腐蝕、防塵性、防水(IP66)
- 5.標準軸及長軸皆可微調鬆緊度
- 6.開啟時不受鑰匙干擾即可旋轉握柄

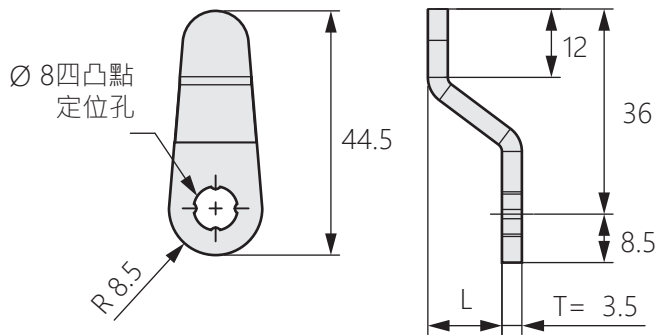
- 材質：鋅合金
- 表面處理：本體(黑色)、掀把(鍍鉻/黑色)
- 擋片：鐵/鍍鋅
- 用途：配電盤、船舶機器、車輛等

1. Opening: The baffle can be moved back 3mm vertically to make the handle rotate smoothly.
2. Closing the door: the baffle can be moved forward 3mm vertically, so that the door panel and the box body are not loosened tightly.
3. Left, right, and up three directions dual-use type
4. Heat resistance, corrosion resistance, dust resistance, waterproof (IP66)
5. The tightness of standard shaft and long shaft can be fine-tuned.
6. The handle can be rotated without being disturbed by the key when opening.

- Material: Zinc alloy
- Finish: Body(Black)  
Flip handle(Chrome plating/Black)
- Lock material: Iron ,Galvanized
- Uses: Communication switchboards, ship machines,cabinet door panels, vehicles,etc.

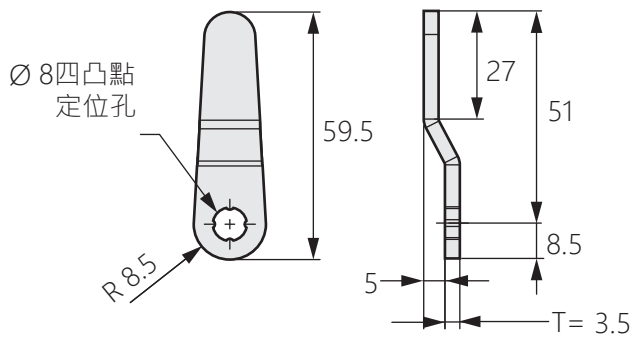
商品型號		擋片型式	擋片夾持距離		L1	L2
本體黑色 掀把鍍鉻	外觀黑色		向內	向外		
TM-191-1-1	TM-191-2-1	TH-44	26		33	-
TM-191-1-2	TM-191-2-2	TH-45	36		25.5	13.5
TM-191-1-3	TM-191-2-3	TH-14	21	31	36	12
TM-191-1-4	TM-191-2-4	TH-17			51	27
TM-191-1-5	TM-191-2-5	TH-15	13	39	36	12
TM-191-1-6	TM-191-2-6	TH-18			51	27
TM-191-1-7	TM-191-2-7	TH-16	5	47	36	12
TM-191-1-8	TM-191-2-8	TH-19			51	27
TM-192-1-1	TM-192-2-1	TH-14	27-37	37-47	36	12
TM-192-1-2	TM-192-2-2	TH-17			51	27
TM-192-1-3	TM-192-2-3	TH-15	19-29	45-55	36	12
TM-192-1-4	TM-192-2-4	TH-18			51	27
TM-192-1-5	TM-192-2-5	TH-16	11-21	53-63	36	12
TM-192-1-6	TM-192-2-6	TH-19			51	27
TM-193-1-1	TM-193-2-1	TH-14	44-54	54-64	36	12
TM-193-1-2	TM-193-2-2	TH-17			51	27
TM-193-1-3	TM-193-2-3	TH-15	36-46	62-72	36	12
TM-193-1-4	TM-193-2-4	TH-18			51	27
TM-193-1-5	TM-193-2-5	TH-16	28-38	70-80	36	12
TM-193-1-6	TM-193-2-6	TH-19			51	27

[TH-14] [TH-15] [TH-16]

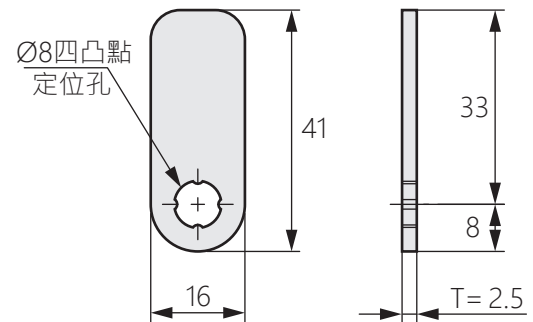


商品型號	L
鐵	
TH-14	5
TH-15	13
TH-16	21

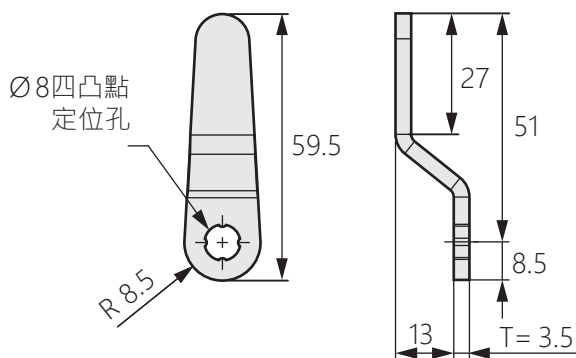
[TH-17]



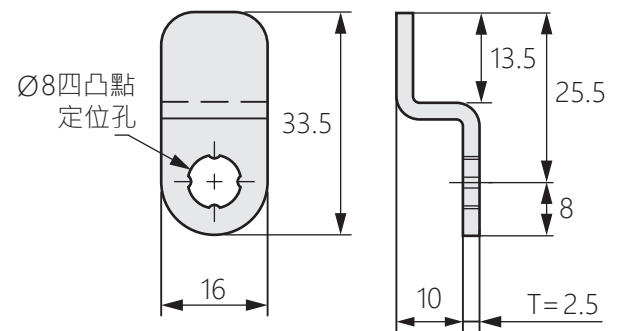
[TH-44]



[TH-18]



[TH-45]



[TH-19]

