

槓桿型壓縮式門鎖



TM-109

Lever type compression door lock

商品介紹 Product description

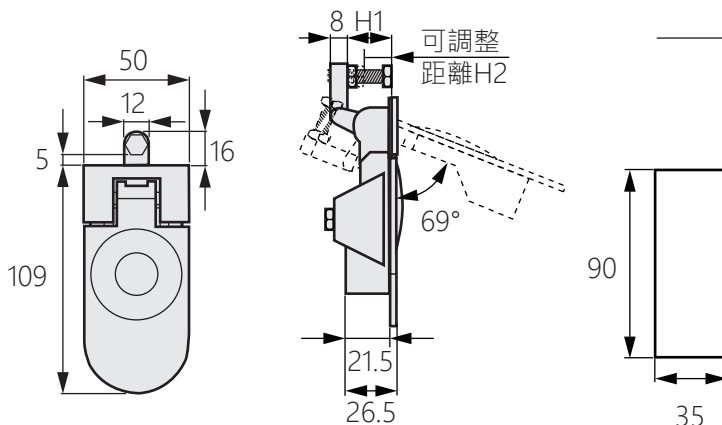
1. 微調螺母可調節門的迫緊程度。
2. 快速拆裝，方便快捷。
3. 適用門板厚度1-5mm。



- 材質：鋅合金
- 表面處理：無光黑
- 用途：自動售貨機、旅遊客車、自動化設備。

1. Fine-tuning the nut can adjust the tightness of the door.
2. Quick disassembly and assembly, convenient and quick.
3. Applicable door thickness 1-5mm.

- Material: Zinc alloy(ZDC)
- Finish: Matt black
- Uses: Vending machines, tourist buses, automation equipment.



商品型號		H1	H2
有鎖	無鎖		
TM-109-1-1	TM-109-2-1	21	0-15
TM-109-1-2	TM-109-2-2	52	30-45
TM-109-1-3	TM-109-2-3	67	45-60