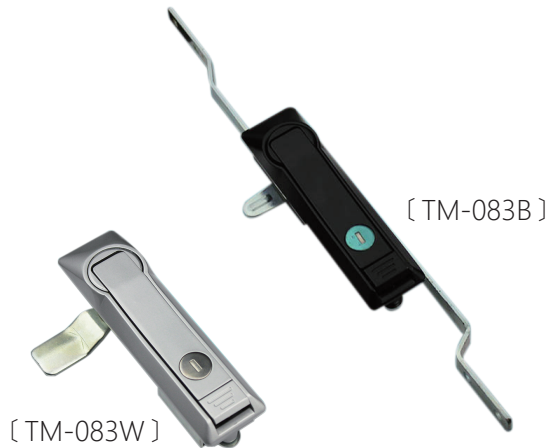


Push-type rotary lock

商品介紹 Product description

1. 單點鎖定，附鑰匙
2. 鎖片折彎處理，已適用更大門框厚度

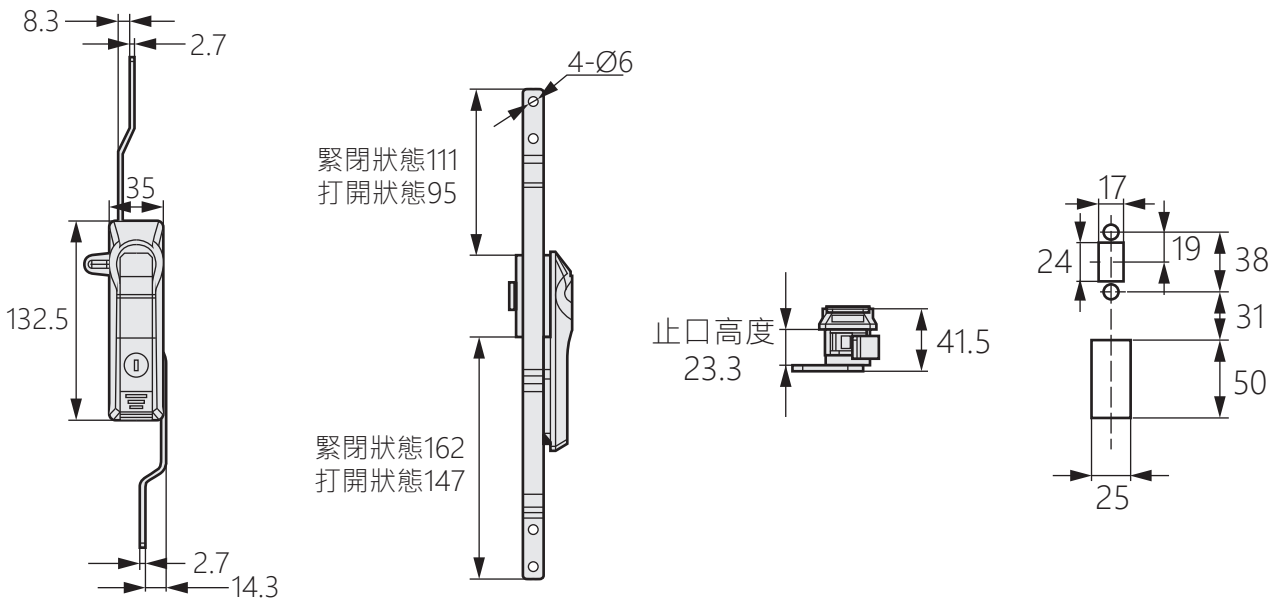


- 材質：鋅合金
- 表面處理：黑色噴漆、銀色噴漆
- 用途：控制箱、電力箱、機箱機櫃
- 備註：把手有90度旋轉行程。

1. Single point lock, with key.
2. The lock piece bending treatment has been applied to larger door frame thickness.

- Material: Zinc alloy(ZDC)
- Finish: Black painting、Silver painting.
- Uses: Control box, power box, chassis cabinet.
- Notes: The handle has a 90-degree rotation stroke.

[TM-083B]



[TM-083W]

