

# 鋅合金三點鎖



TM-082

Zinc alloy three point lock

商品介紹 Product description

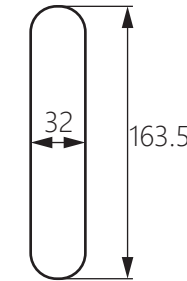
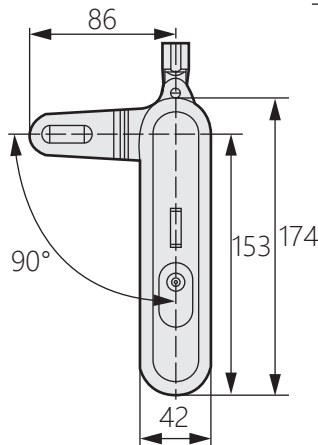
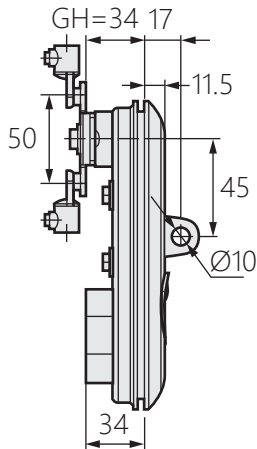
把手90度旋轉實現打開及鎖定，調換定位鍵方向則左右開啟；止口高度可調節，也可帶掛鎖。



- 材質：鋅合金
- 表面處理：黑色噴漆
- 用途：控制箱、電力箱、機箱機櫃
- 備註：把手有90度旋轉行程。

The handle is turned 90 degrees to open and lock, and the direction of the positioning key is changed to open left and right; the height of the stop is adjustable, and it can also be equipped with a padlock.

- Material: Zinc alloy(ZDC)
- Finish: Black painting
- Uses: Control box, power box, chassis cabinet.
- Notes: The handle has a 90-degree rotation stroke.



開孔尺寸

分解圖示

