

密閉聯動門把手



TM-078-5

Multi-Point Compression handle



[TM-078-5-1]



[TM-078-5-2]

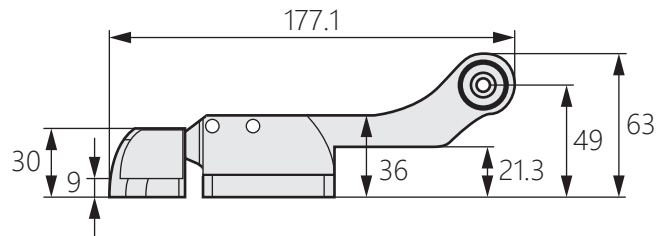
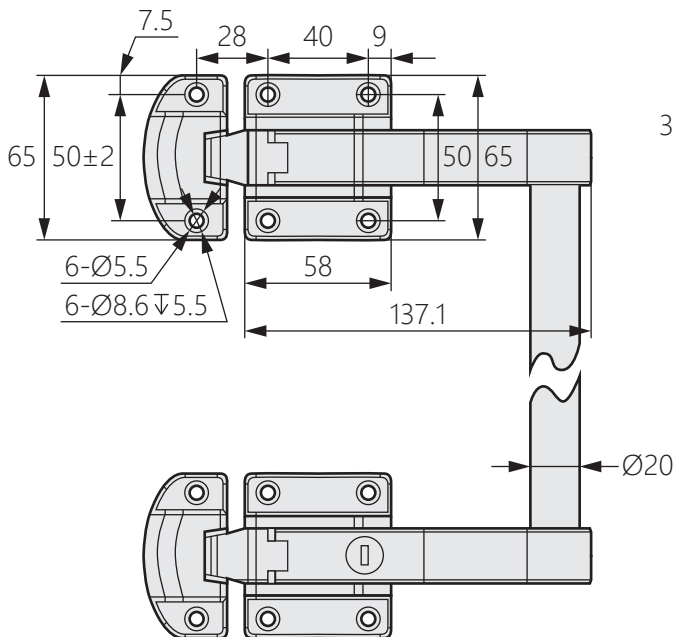
商品介紹 Product description

1. 配戴鎖芯，單點鎖定。
2. 內置彈簧結構，方便開啟和關閉。
3. 不鏽鋼材質，耐腐蝕性能好。
4. 左右開門兼用。

- 材質：不鏽鋼
- 表面處理：拉絲拋光
- 用途：烤箱、試驗箱、測試箱體

1. Wear a lock core, single-point locking.
2. Built-in spring structure, easy to open and close.
3. Stainless Steel material, great corrosion resistance performance.
4. Suitable for left and right side opening.

- Material: SUS304
- Finish: Wire-drawing polishing
- Uses: Oven, test box, test box.



安裝示意圖

商品型號	規格
TM-078-5-1	無鎖
TM-078-5-2	有鎖

