

特製信箱鎖



TM-064

Special letter box lock

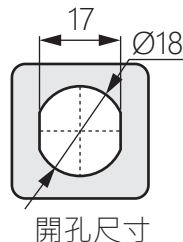
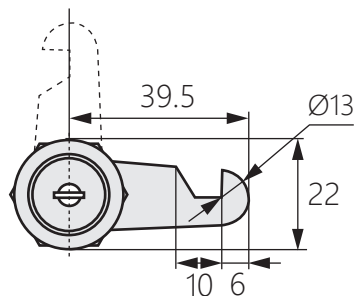
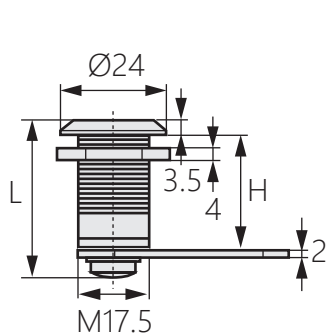
商品介紹 Product description

外觀小巧，操作簡單，鎖片帶有溝槽，可勾住門板。

- 材質：主體為鋅合金、冷軋板
- 表面處理：本體(鍍亮鉻)、鎖片(鍍白鋅)
- 用途：控制箱、電力箱、機箱機櫃、信箱

Small size and easy to operate. The locking piece has a groove to firmly hook the door panel.

- Material: Main body is zinc alloy, cold rolled plate
- Finish: Main unit(Bright chrome)
Lock(white zinc plated)
- Uses: Control box, power box, chassis cabinet, mailbox.



商品型號	L	H
TM-064-1	26	17
TM-064-2	28.5	20
TM-064-3	33.5	25
TM-064-4	39	29.5