

回壓圓頭鎖



TM-0450

Back pressure round head lock

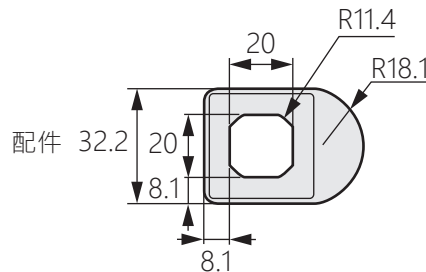
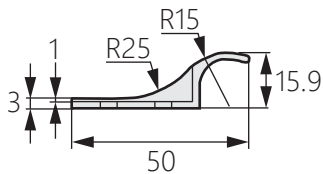
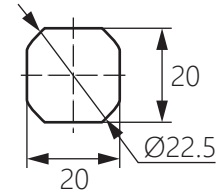
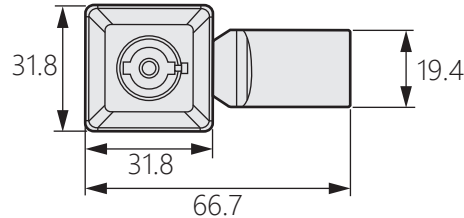
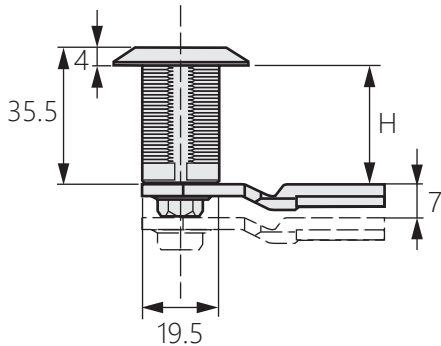
商品介紹 Product description

鎖芯帶防水圈·鎖殼配防水墊·密封防水性強

- 材質：鋅合金
- 表面處理：鍍亮鉻
- 用途：機櫃、控制箱等
- 備註：一字鎖芯和三角鎖芯不鏽鋼材質為訂製品

The lock cylinder is equipped with a waterproof ring, and the lock shell is equipped with a waterproof pad, which has strong sealing and waterproof performance

- Material: Zinc alloy
- Finish: Bright chrome plating
- Uses: Cabinets, Control box, etc.
- Notes: Straight and triangular lock cylinder stainless steel products are customized.



鎖片型號	H
TH-088	32.7
TH-488	37.4
TH-788	39.2
TH-1488	46.5