

Waterproof flat lift and turn latch

商品介紹 Product description

防水設計:內部設置O型環·外部使用防水墊片
透過變更門擋片以及方向限位擋板的方向·即可實現
左右開門使用。

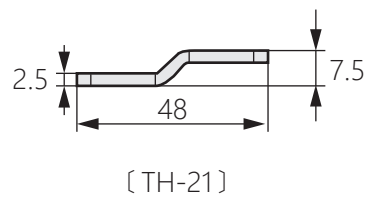
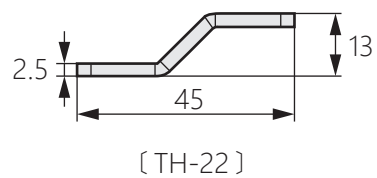
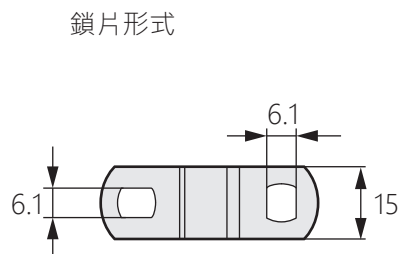
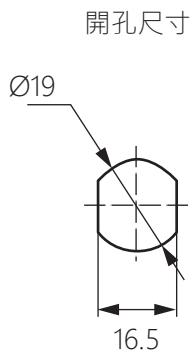
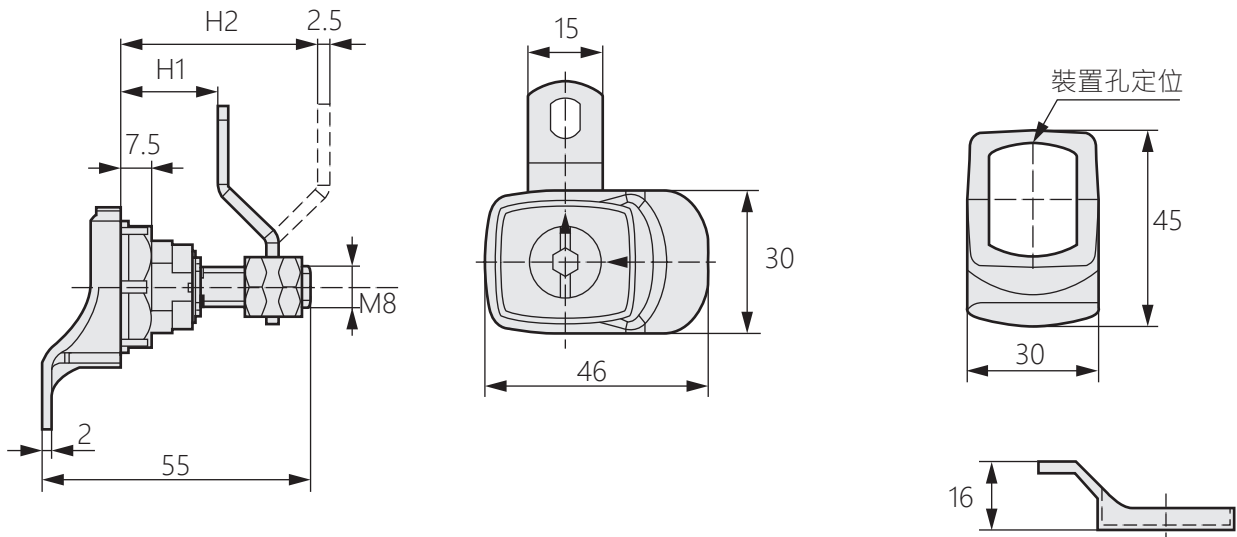


- 材質：鋅合金(ZDC)
- 表面處理：鍍鉻
- 用途：機櫃、配分電盤、機械設備

Waterproof: Using o-ring inside and sheet packing.

By reversing the cam and stopper plate,can realize the use of left and right doors.

- Material:Zinc Alloy (ZDC)
- Finish: Chrome plating
- Uses: Communication cubicle, control panel, cabinet door,machinery equipment.



商品型號	鎖芯	H1		H2	
		TH-21	TH-22	TH-21	TH-22
TM-010-1		19.5-23.5	14-18	29.5-33.5	35-39
TM-010-2					