

Testing instrument test hole cover

商品介紹 Product description

- 1.有三種外徑尺寸規格可選擇。
- 2.結構簡單，安裝方便。

- 材質：不鏽鋼(SUS304)
- 表面處理：震動研磨
- 用途：檢測設備、試驗箱設備、烤箱等

1. There are three outer diameter sizes to choose from.
2. Simple structure and convenient installation.

- Material: Stainless steel(SUS304)
- Finish: Vibration grinding
- Uses: Testing equipment, test chamber equipment, oven, etc.

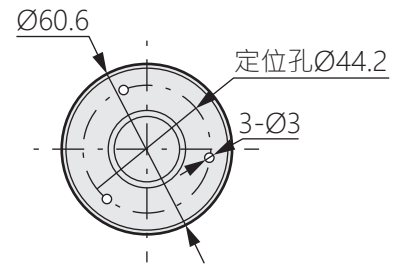
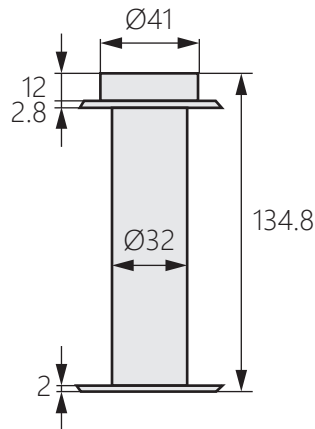
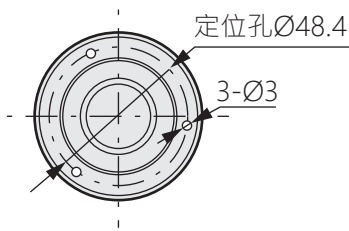


[TH-25-1] [TH-50-1] [TH-80-1]

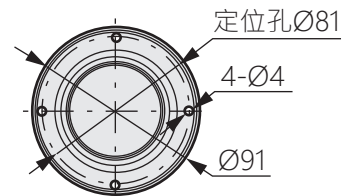
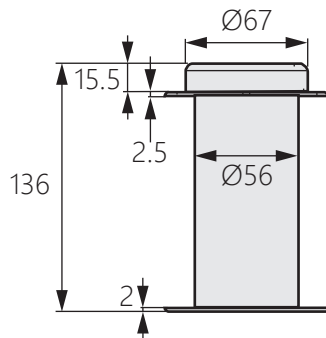
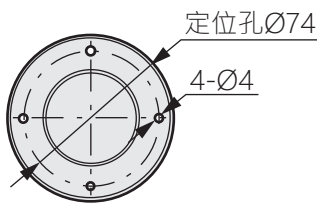


[TH-100-1] [TH-160-1]

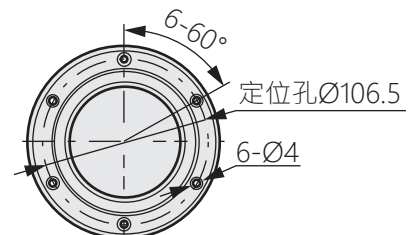
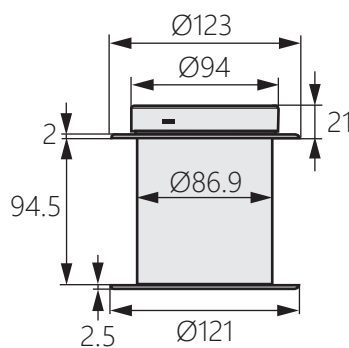
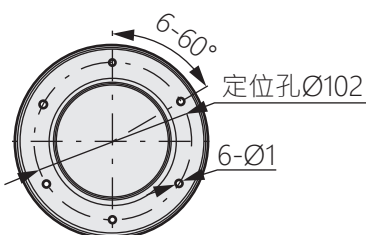
[TH-25-1]



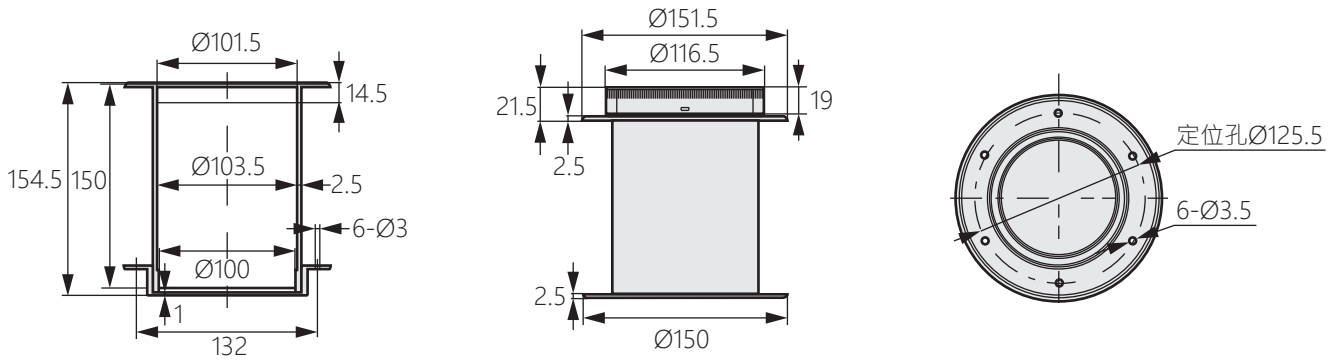
[TH-50-1]



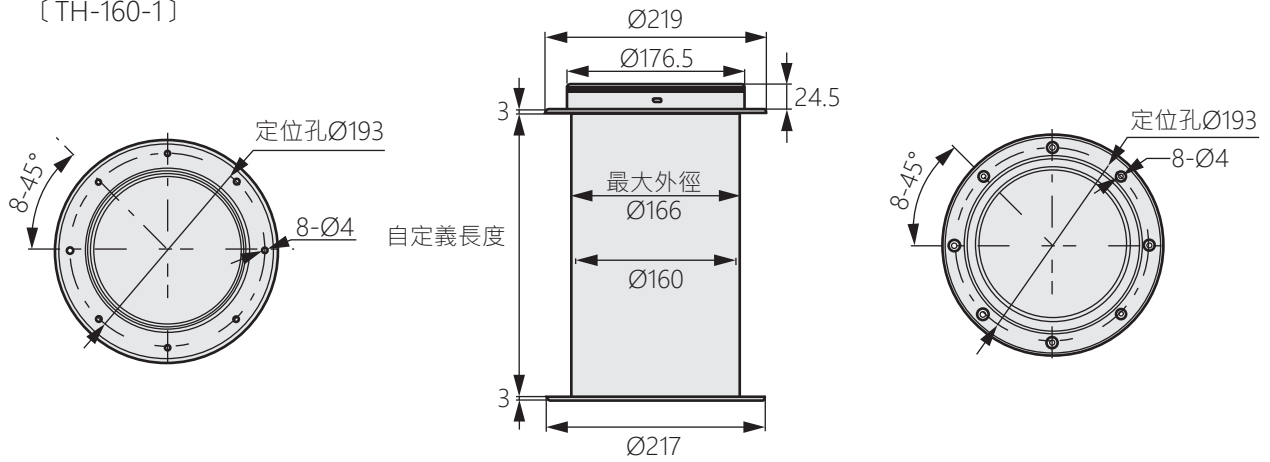
[TH-80-1]



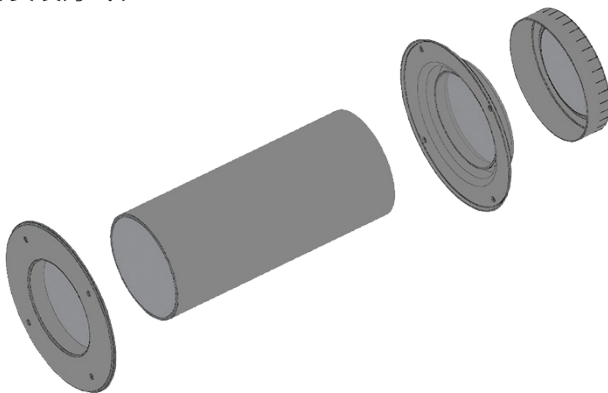
[TH-100-1]



[TH-160-1]



[安裝方式]



商品型號	內徑
TH-25-1	25
TH-50-1	50
TH-80-1	80
TH-100-1	100
TH-160-1	160