

Testing instrument test hole cover

商品介紹 Product description

1. 安裝方便，有一定密封效果。
2. 耐溫-70度/+200度。

- 材質：尼龍
- 用途：烤箱、試驗設備、檢測設備等

1. Easy to install and has certain sealing effect.
2. Temperature resistance -70 degrees/+200 degrees.

- Material: nylon.
- Uses: Ovens, test equipment, testing equipment, etc.



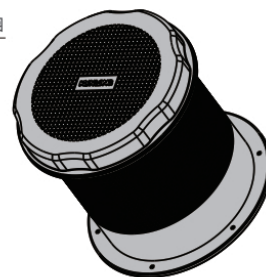
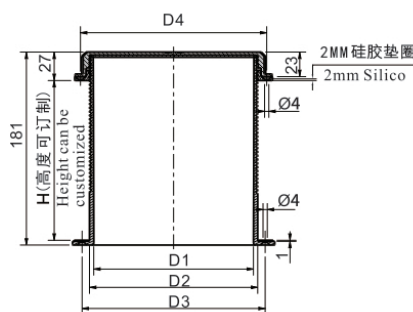
TH-60100-7



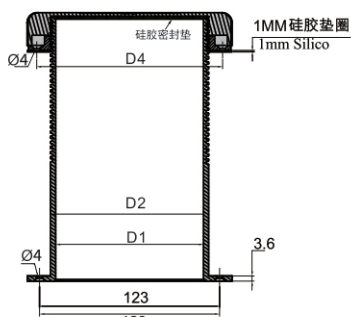
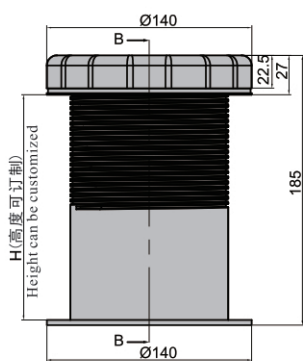
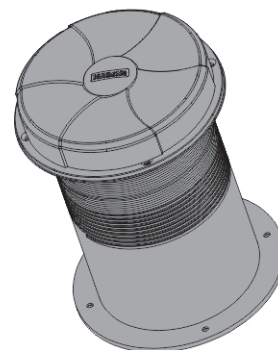
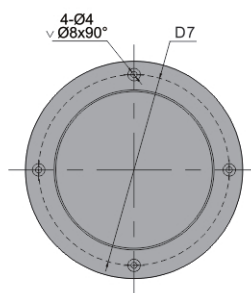
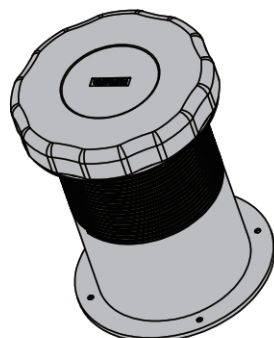
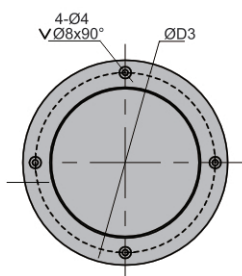
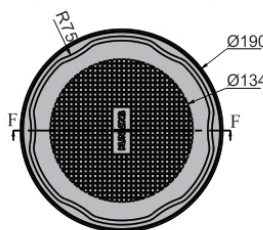
TH-60100-4  
TH-60100-5  
TH-60100-6



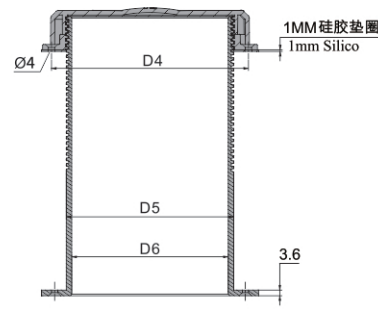
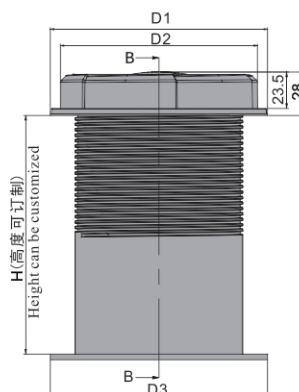
TH-60100-1  
TH-60100-2  
TH-60100-3



TH-60100-7



截面 B-B  
Section B-B



截面 B-B  
Section B-B

TH-60100-4  
TH-60100-5  
TH-60100-6

TH-60100-1  
TH-60100-2  
TH-60100-3

| 商品型號       | H   | D1  | D2  | D3  | D4  | D5 | D6 | D7 | 重量(g) |
|------------|-----|-----|-----|-----|-----|----|----|----|-------|
| TH-60100-1 | 100 | 100 | 88  | 100 | 87  | 68 | 61 | 83 | 240   |
| TH-60100-2 | 120 |     |     |     |     |    |    |    | 250   |
| TH-60100-3 | 150 |     |     |     |     |    |    |    | 280   |
| TH-60100-4 | -   | 101 | 108 | 123 | 127 | -  | -  | -  | -     |
| TH-60100-5 | -   |     |     |     |     |    |    |    | -     |
| TH-60100-6 | -   |     |     |     |     |    |    |    | 430   |
| TH-60100-7 | -   | 150 | 158 | 172 | 175 | -  | -  | -  | -     |