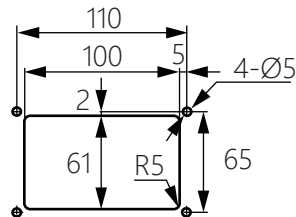
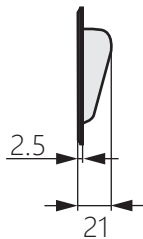
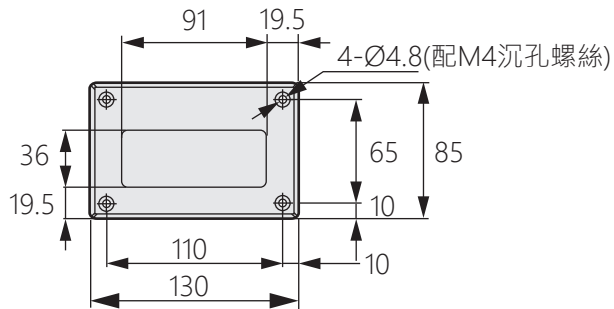


# 不鏽鋼平面拉手

Stainless steel flat handle



TG-625



開孔尺寸

商品介紹 Product description

嵌入式安裝，表面突起少。

- 材質：不鏽鋼SUS304
- 表面處理：拉絲拋光
- 用途：緊閉門、廚房設備、各種箱櫃等

Embedded installation, less surface protrusion.

- Material: Stainless steel 304
- Finish: Brushed and polished
- Uses: Closed doors, kitchen equipment, various cabinets, etc.