

# 棒材把手

Plastic handle

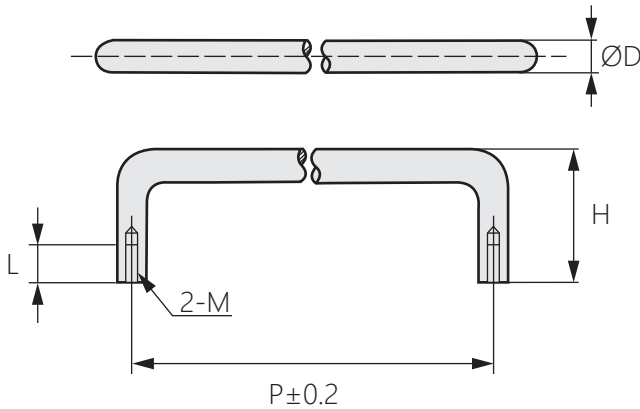


TG-300

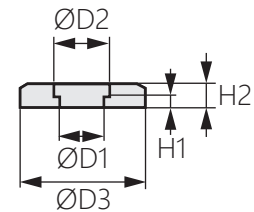


## 商品介紹 Product description

- 材質：不鏽鋼、鐵
  - 表面處理：震動亮面、鍍鉻、黑色
  - 備註：全尺寸皆有底座，如需底座請於型號加上“Z”。
- 
- Material: Stainless steel、iron
  - Finish: Vibrant bright,chrome and black.
  - Notes: All sizes have a base, if you need a base, please add "Z".



【底座選配使用】



\*如需底座請於型號加上“Z”，例如: TG-300-1-1Z

商品型號			H	P	D	M	L	H1	H2	D1	D2	D3
不鏽鋼	鐵											
TG-300-1-1	TG-300-2-1W	TG-300-2-1B	32	55	6.3	M4	8	1.2	2.5	4.2	6.5	10
TG-300-1-2	TG-300-2-2W	TG-300-2-2B		64								
TG-300-1-3	TG-300-2-3W	TG-300-2-3B		76								
TG-300-1-4	TG-300-2-4W	TG-300-2-4B		88								
TG-300-1-5	TG-300-2-5W	TG-300-2-5B		100								
TG-300-1-6	TG-300-2-6W	TG-300-2-6B	35	55	8	M5	10	1.3	3	5.2	8.1	12
TG-300-1-7	TG-300-2-7W	TG-300-2-7B		88								
TG-300-1-8	TG-300-2-8W	TG-300-2-8B		100								
TG-300-1-9	TG-300-2-9W	TG-300-2-9B		120								
TG-300-1-10	TG-300-2-10W	TG-300-2-10B		136								
TG-300-1-11	TG-300-2-11W	TG-300-2-11B	40	88	10	M6	12	1.5	4.5	6.2	10.1	15
TG-300-1-12	TG-300-2-12W	TG-300-2-12B		100								
TG-300-1-13	TG-300-2-13W	TG-300-2-13B		120								
TG-300-1-14	TG-300-2-14W	TG-300-2-14B		150								
TG-300-1-15	TG-300-2-15W	TG-300-2-15B		180								
TG-300-1-16	-		43	200	-	M5	-	-	-	-	-	-
TG-300-1-17				235								