

# 不鏽鋼拉手

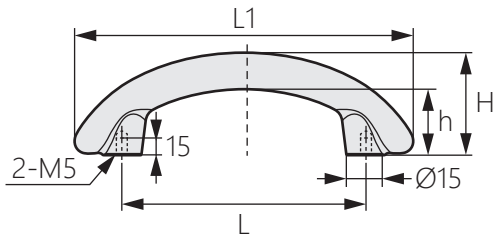
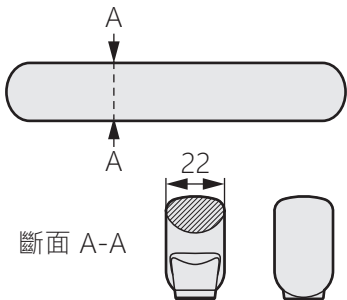
Stainless steel handle



## TG-045

商品介紹 Product description

- 材質：不鏽鋼SUS304
  - 表面處理：拋光研磨
  - 用途：自動化設備、醫療器械
- 
- Material: Stainless steel 304
  - Finish: Mirror polishing
  - Uses: Automation equipment, medical equipment.
- 



商品型號	L	L1	H	h
TG-045-1	100	138	42	27
TG-045-2	150	190	44	29