

按壓式可調整螺絲把手



LZ-8001

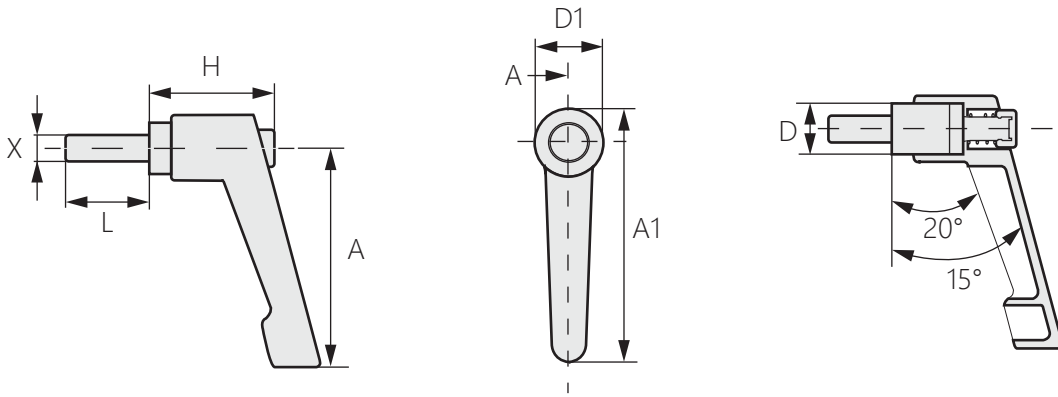
Push-type adjustable screw handle

商品介紹 Product description

- 材質：把手-鋅合金、螺絲-電鍍鍍鋅Cr6/Cr3+
- 表面處理：黑色、橘色
- 備註：黑色把手/橘色蓋子(NA)
橘色把手/橘色蓋子(NAOR)
黑色把手/黑色蓋子(NB)
橘色把手/黑色蓋子(NBOR)
- 範例：LZ-8001-1NA-L



- Material: Handle-Zinc alloy,
Screw-Electro galvanized Cr6/Cr3+
- Finish: Black,orange
- Notes: Black handle, orange lid (code:NA)
Orange handle, orange lid (code:NAOR)
Black handle, black lid (code:NB)
Orange handle, black lid (code:NBOR)
- Example: LZ-8001-1NA-L



商品型號	X	L							A	A1	H	D1	D	
LZ-8001-1	#10-24	10	-							30	38	27	16	12
LZ-8001-2	#10-32													
LZ-8001-3	1/4"-20	10	20	27	30	40	-		42	75	36.7	20	15	
LZ-8001-4	M5		15	20	25	-								
LZ-8001-5	M6					30	35	40						45
LZ-8001-6	M8					30	35	40						45
LZ-8001-7	#10-24	15	-							78	90.5	45	25	20
LZ-8001-8	1/4"-20													
LZ-8001-9	I6	10	20	27	30	40	-		78	90.5	45	25	20	
LZ-8001-10	M5		15	20	30	-								
LZ-8001-11	M6	35				40	-							
LZ-8001-12	M8	35				40	45	60	70					
LZ-8001-13	5/16"-18	10	20	30	40	-		78	90.5	45	25	20		
LZ-8001-14	M6		15	30	35	-								
LZ-8001-15	M8	40				-								
LZ-8001-16	M10	40				45	60	70						
LZ-8001-17	5/16"-18	10	20	30	35	40	-		78	90.5	45	25	20	
LZ-8001-18	M6		15	30	35	-								
LZ-8001-19	M8	40				45	60	70						
LZ-8001-20	M10	40				45	60	70						