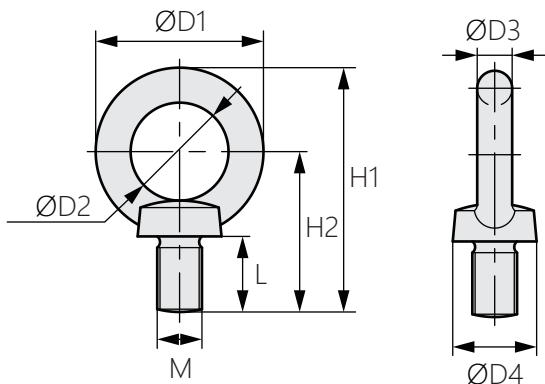


# 吊環螺栓



## LZ-612

Eye bolt



商品介紹 Product description

由不銹鋼製成，經久耐用且耐腐蝕。

- 材質：不銹鋼(SUS304)
- 用途：半導體設備、工業機械等

Made of stainless steel for durability and corrosion resistance.

- Material: Stainless(SUS304)
- Uses: Semiconductor equipment, industrial machinery, etc.

商品型號	L	H1	H2	D1	D2	D3	D4	M
LZ-612-1	15	48.6	32.3	32.6	20	6.3	16	M8
LZ-612-2	18	59.3	38.8	41	25	8	20	M10
LZ-612-3	22	72.5	47.5	50	30	10	25	M12
LZ-612-4	27	87.3	57.3	60	35	12.5	30	M16
LZ-612-5	30	100.2	64.2	72	40	16	35	M20