

可旋式精密星型中空起子



LZ-53

Rotatable precision star hollow screwdriver



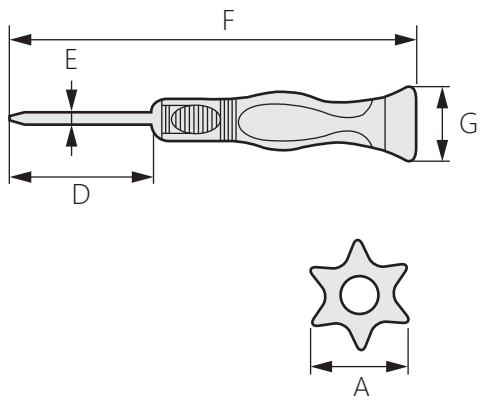
商品介紹 Product description

- 1.強力握把設計，符合人體工學。
- 2.精密星型中空起子，扭力特強。
- 3.耐酸鹼，可360°旋轉。
- 4.前端特殊加硬染黑處理，不易滑牙，附磁性。

- 材質：柄身/PA+TPR、鉻釩鋼
- 用途：通訊設備、電腦、汽車等

1. Strong grip design, ergonomic.
2. Precision star-shaped hollow screwdriver with strong torque.
3. Acid and alkali resistance, can be rotated 360°.
4. The front end is specially treated with hard dyed black, which is not easy to slip and has magnetic properties.

- Material: Handle/PA+TPR, Chrome vanadium steel
- Uses: Communication equipment, computers, automobiles, etc.



商品型號	規格(D)	總長(F)	A	E	G
LZ-53-1	T7H*50mm	158mm	1.4	3	19
LZ-53-2	T8H*50mm		1.7		
LZ-53-3	T9H*50mm		2.0	4	
LZ-53-4	T10H*50mm		2.3		