

壓花螺絲



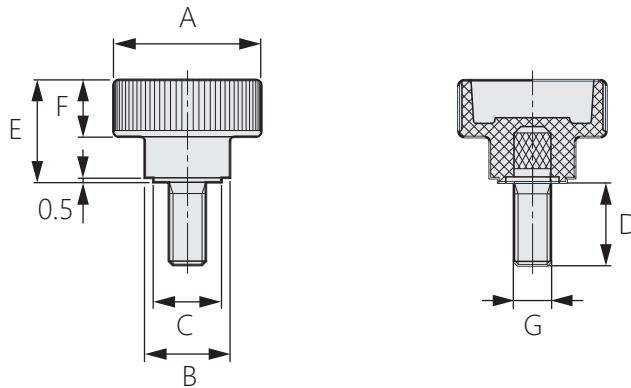
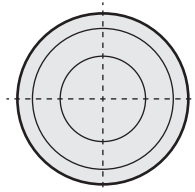
LZ-421

Knurled screw

商品介紹 Product description

●材質：把手/PA、螺母、公牙/不鏽鋼

●Material: Handle/PA, Nut, Male/Stainless Steel



| 商品型號 | | A | B | C | D | E | F | G |
|-------------|-------------|----|----|----|----|------|------|---------|
| 不鏽鋼 | 鐵 | | | | | | | |
| | LZ-421-2-1 | 19 | 12 | 9 | 10 | 14 | 8 | M4*0.7 |
| | LZ-421-2-2 | | | | 15 | | | |
| | LZ-421-2-3 | | | | 20 | | | |
| | LZ-421-2-4 | | | | 30 | | | |
| LZ-421-1-1 | LZ-421-2-5 | 24 | 14 | 12 | 10 | 16.5 | 9.5 | M6*1.0 |
| LZ-421-1-2 | LZ-421-2-6 | | | | 15 | | | |
| LZ-421-1-3 | LZ-421-2-7 | | | | 20 | | | |
| LZ-421-1-4 | LZ-421-2-8 | | | | 25 | | | |
| LZ-421-1-5 | LZ-421-2-9 | 30 | 16 | 14 | 10 | 19.5 | 11 | M8*1.25 |
| LZ-421-1-6 | LZ-421-2-10 | | | | 16 | | | |
| LZ-421-1-7 | LZ-421-2-11 | | | | 20 | | | |
| LZ-421-1-8 | LZ-421-2-12 | | | | 25 | | | |
| LZ-421-1-9 | LZ-421-2-13 | 36 | 18 | 16 | 30 | 22.5 | 12.5 | M10*1.5 |
| | LZ-421-2-14 | | | | 16 | | | |
| LZ-421-1-10 | LZ-421-2-15 | | | | 20 | | | |
| LZ-421-1-11 | LZ-421-2-16 | | | | 25 | | | |
| LZ-421-1-12 | LZ-421-2-17 | 36 | 18 | 16 | 30 | 22.5 | 12.5 | M10*1.5 |
| LZ-421-1-13 | LZ-421-2-18 | | | | 40 | | | |
| LZ-421-1-14 | LZ-421-2-19 | | | | 20 | | | |
| LZ-421-1-15 | LZ-421-2-20 | | | | 25 | | | |
| LZ-421-1-16 | LZ-421-2-21 | 36 | 18 | 16 | 30 | 22.5 | 12.5 | M10*1.5 |
| | LZ-421-2-22 | | | | 40 | | | |
| LZ-421-1-17 | | | | | 45 | | | |
| LZ-421-1-18 | | | | | 55 | | | |