

不鏽鋼萬向腳座

Stainless steel universal foot



JZ-50

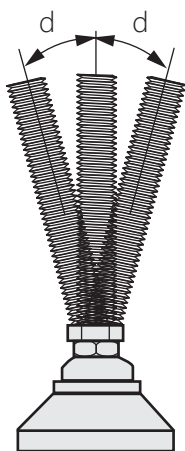
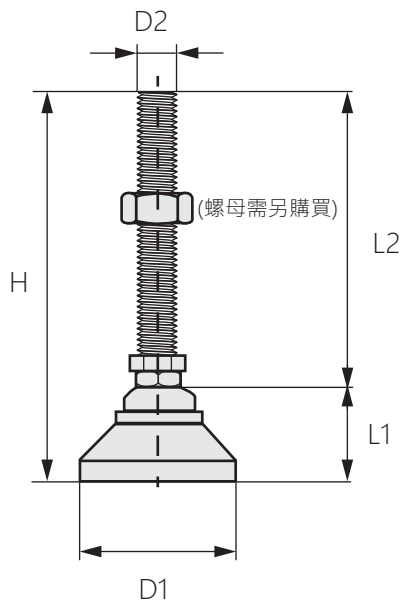
商品介紹 Product description

採用不鏽鋼材質的底座，承重性能好，防滑、耐磨耗。

- 材質：螺桿/螺母 - 不鏽鋼(SUS304)
- 底座另有(L)噴砂塗裝霧面，不反光設計【訂製品】
- 用途：適用不平地面
- 備註：螺母需另購買

The base is made of stainless steel, which has good load-bearing performance, anti-slip and abrasion resistance.

- Material: Screw/Nut: Stainless steel (SUS304)
- The base also has (L) sandblasting coating matte, non-reflective design [customized products].
- Uses: Applicable to uneven ground.
- Notes: Nuts need to be purchased separately.



商品型號	D1	L1	D2	L2	H	d	荷重
JZ-50-1	50	48	M12*P1.75	100	148	20	300
JZ-50-2				125	173		
JZ-50-3				150	198		
JZ-50-4	60	48	M16*P2.0	100	148	20	400
JZ-50-5				125	173		
JZ-50-6				150	198		
JZ-50-7	60	48	M16*P2.0	100	148	20	500
JZ-50-8				125	173		
JZ-50-9				150	198		
JZ-50-10	75	50	M16*P2.0	100	150	25	1000
JZ-50-11				125	175		
JZ-50-12				150	200		
JZ-50-13				175	225		
JZ-50-14				225	275		
JZ-50-15				275	325		
JZ-50-16	75	50	M20*P2.5	100	150	25	1500
JZ-50-17				125	175		
JZ-50-18				150	200		
JZ-50-19				175	225		
JZ-50-20				225	275		
JZ-50-21				275	325		