

# 10mm\*22mm氣壓桿

10mm\*22mm Gas spring



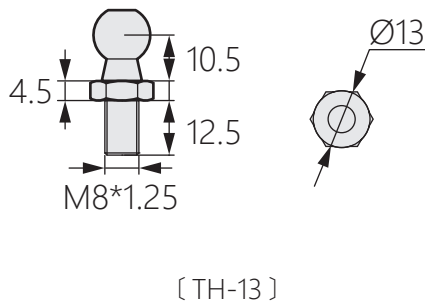
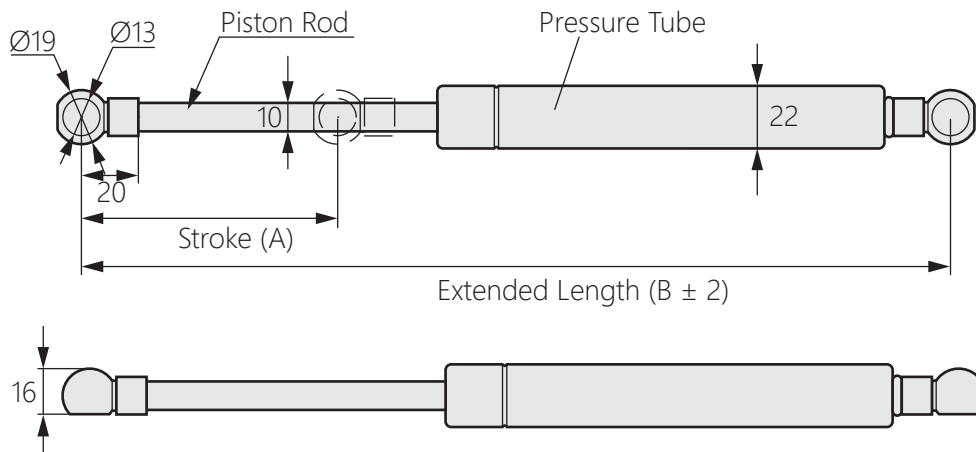
**HG-185**



## 商品介紹 Product description

- 材質：主體-碳鋼、配件-鐵
- 表面處理：黑色塗裝
- 用途：板金工業、用於支撐門板、氣窗設備等
- 備註：1.另有不鏽鋼產品可選購。  
2.訂購時請主動告知氮氣填充量。  
3.有效行程至少需預留5-10mm以防碰撞。

- Material: Main body - carbon steel  
Accessories - iron
- Finish: Black painting
- Uses: Sheet metal industry, used to support door panels, transom equipment, etc.
- Notes:
  1. Another stainless steel product is available for purchase.
  2. Please take the initiative to inform the nitrogen filling amount when ordering.
  3. At least 5-10mm of effective travel should be reserved to prevent collision.



商品型號	行程 (A)	總長 (B)	氮氣值 (N)
HG-185-1	70	240	100-1150N
HG-185-2	90	270	
HG-185-3	100	285	
HG-185-4	125	330	
HG-185-5	150	385	
HG-185-6	160	405	
HG-185-7	180	450	
HG-185-8	200	485	
HG-185-9	210	500	
HG-185-10	220	525	
HG-185-11	250	585	
HG-185-12	280	670	
HG-185-13	300	685	
HG-185-14	300	700	
HG-185-15	330	750	
HG-185-16	350	785	
HG-185-17	370	830	
HG-185-18	400	885	

備註：9.8牛頓 (N)=1公斤 (KG)=2.2磅 250(LBS)