

# 8mm\*18mm氣壓桿



# HG-183

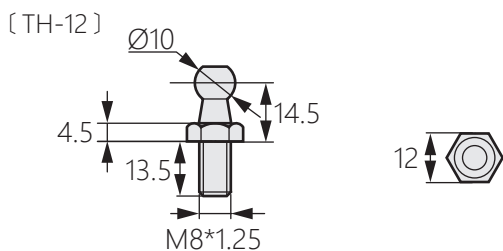
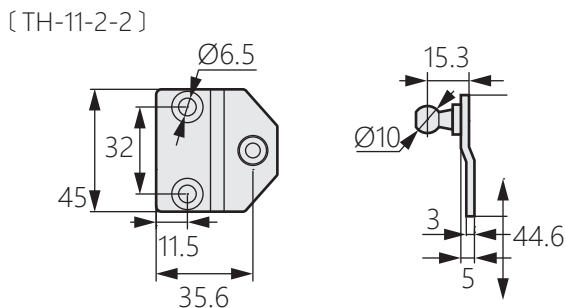
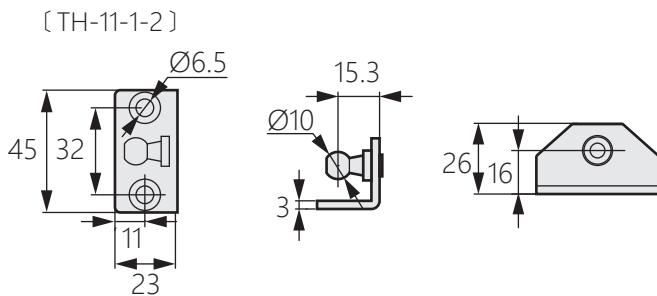
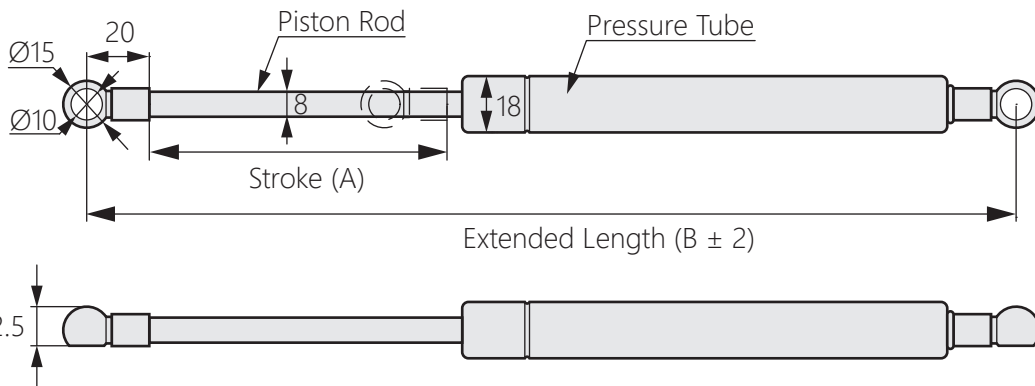
8mm\*18mm Gas spring

## 商品介紹 Product description

- 材質：主體-碳鋼、配件-鐵
- 表面處理：黑色塗裝
- 用途：板金工業、用於支撐門板、氣窗設備等
- 備註：1.另有不鏽鋼產品可選購。  
2.訂購時請主動告知氮氣填充量。  
3.有效行程至少需預留5-10mm以防碰撞。



- Material: Main body - carbon steel  
Accessories - iron
- Finish: Black painting
- Uses: Sheet metal industry, used to support door panels, transom equipment, etc.
- Notes:
  1. Another stainless steel product is available for purchase.
  2. Please take the initiative to inform the nitrogen filling amount when ordering.
  3. At least 5-10mm of effective travel should be reserved to prevent collision.



商品型號	行程 (A)	總長 (B)	氮氣值 (N)
HG-183-1	60	205	100-700N
HG-183-2	80	245	
HG-183-3	100	285	
HG-183-4	100	295	
HG-183-5	120	325	
HG-183-6	125	330	
HG-183-7	140	365	
HG-183-8	148	375	
HG-183-9	16	405	
HG-183-10	177	430	
HG-183-11	180	445	
HG-183-12	185	450	
HG-183-13	200	485	
HG-183-14	210	500	
HG-183-15	225	525	
HG-183-16	250	585	
HG-183-17	275	630	

備註：9.8牛頓 (N)=1公斤 (KG)=2.2磅 250(LBS)