

開閉支撐器



HG-001

Open and close support

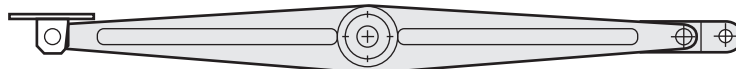
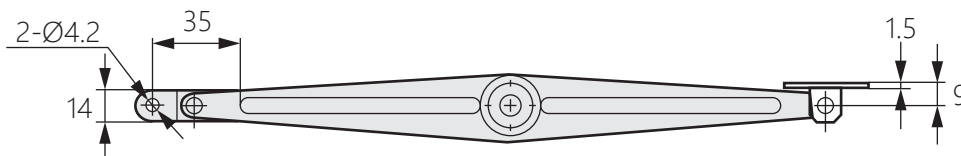
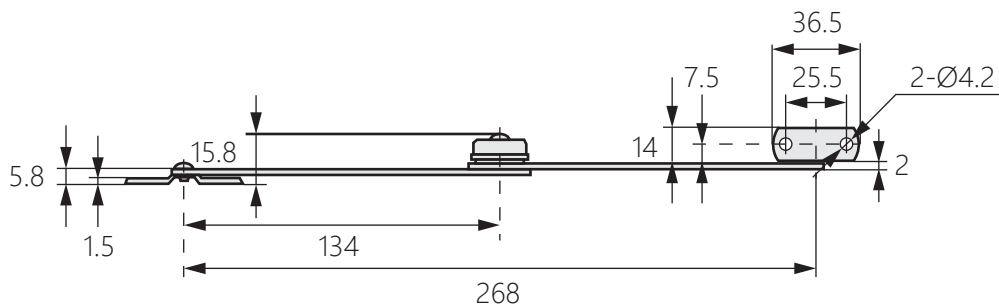
商品介紹 Product description

1. 多個活動支點，方便開啟和安裝。
2. 可安裝在板內，實現隱藏式安裝。
3. 分左、右安裝規格。

- 材質：鐵
- 表面處理：鍍鎳
- 用途：設備門窗、測量設備等

1. Multiple activity pivots for easy opening and installation.
2. It can be installed in the board to realize hidden installation.
3. It is divided into left and right installation specifications.

- Material: Iron(SPCC)
- Finish: Nickel plating
- Uses: Equipment doors and windows, measuring equipment, etc.



商品型號	方向
HG-001-1-L	左邊
HG-001-1-R	右邊