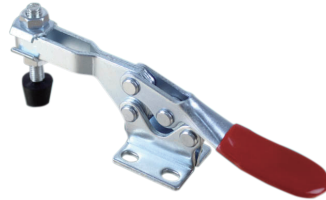


# 水平式快速夾鉗

Horizontal quick clamp



## DK-8019-6



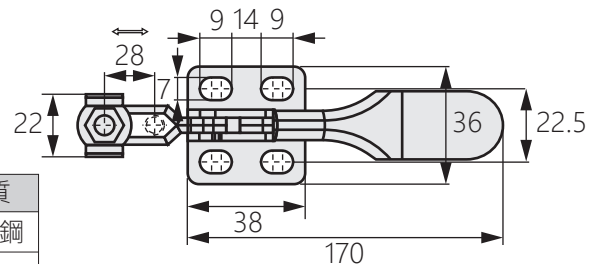
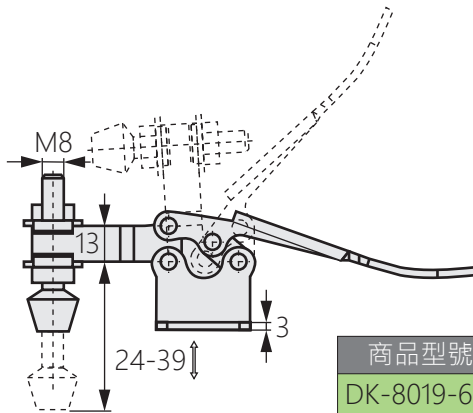
### 商品介紹 Product description

1. 迫緊點高度可調節，以適應門板、門框的不同高度。
2. 壓把開啟角度=90度；手柄開啟角度=80度。
3. 左右兼用型。

- 材質：不鏽鋼、鐵 (SPCC)
- 表面處理：振動研磨、鍍鋅
- 用途：電箱、電櫃、工業設備。

1. The height of the pressing point can be adjusted to adapt to the different heights of the door panel and door frame.
2. Press the handle opening angle=90 degrees; handle opening angle=80 degrees.
3. Both left and right type.

- Material: Stainless steel, Iron (SPCC)
- Finish: Zinc plated, vibration grinding.
- Uses: Electric box, electric cabinet and industrial equipment.



商品型號	材質
DK-8019-6-1	不鏽鋼
DK-8019-6-2	鐵