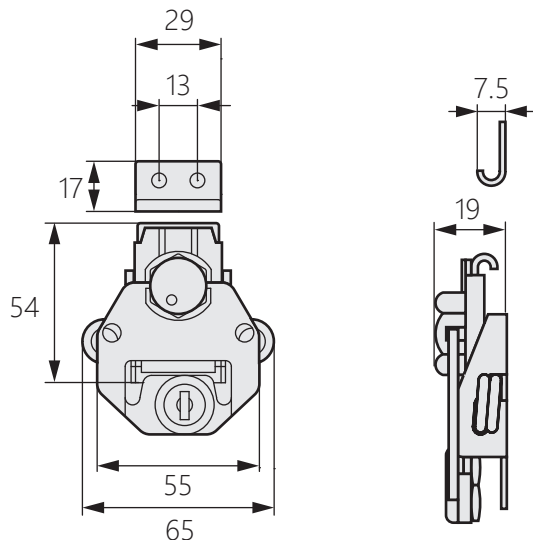
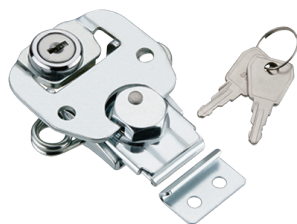


# 旋轉型拉動式搭扣

Rotary draw latch



DK-180



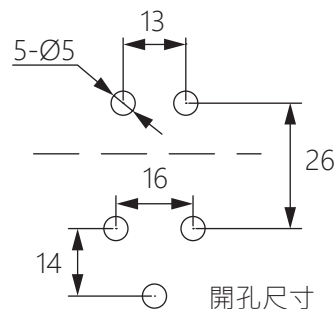
## 商品介紹 Product description

- 1.金屬結構·耐用的旋轉鎖舌設計與準確地拉動設置·能給予牢固的拉緊力以防止門板的意外開啟。
- 2.滑片伸縮距離：8mm。

- 材質：鋼鐵、不鏽鋼SUS304
- 表面處理：鐵-鍍鋅、不鏽鋼-震動研磨

1. Metal structure,durable rotating lock tongue design and accurate pull setting, can give a firm tension to prevent accidental opening of the door panel.
2. Slide telescopic distance: 8mm.

- Material: Iron,Stainless steel SUS304
- Finish: Iron-Zinc painted, Stainless Steel-Vibration grinding



商品型號	材質
DK-180-1	不鏽鋼
DK-180-2	鐵