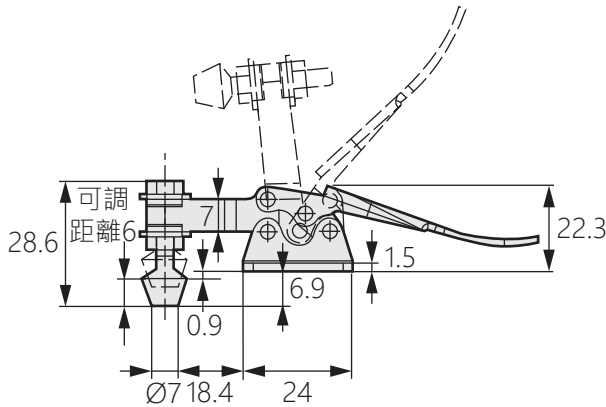


水平式快速夾鉗

Horizontal quick clamp



DK-127



商品介紹 Product description

1. 迫緊點高度可調節，以適應門板、門框的不同高度。
2. 壓把開啟角度：90度。
3. 手柄開啟角度：80度。

- 材質：鐵(SPCC)
- 表面處理：鍍白鋅
- 用途：電箱、電櫃、工業設備。

1. The height of the pressing point can be adjusted to adapt to the different heights of the door panel and door frame.
2. Opening angle of the handle : 90 degrees.
3. handle opening angle : 80 degrees.

- Material: Iron (SPCC)
- Finish: White zinc plating
- Uses: Electric box, electric cabinet and industrial equipment.

