

水平式快速夾鉗

Horizontal quick clamp



DK-126



商品介紹 Product description

- 1.安裝座子分兩部分可相對轉動，方便安裝。
- 2.迫緊點高度可調節，以適應門板、門框的不同高度。
- 3.迫緊性能強。

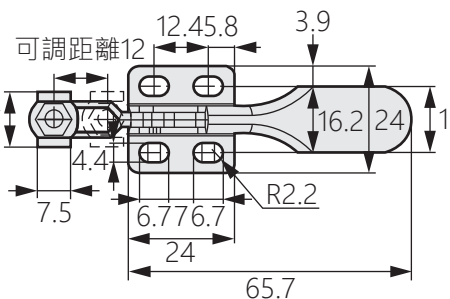
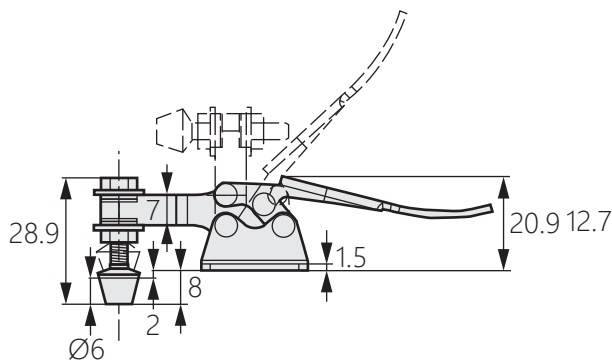
●材質：不鏽鋼SUS304、鐵(SPCC)

●用途：電箱、電櫃、工業設備。

1. The mounting seat is divided into two parts that can be rotated relative to each other, which is convenient for installation.
2. The height of the pressing point can be adjusted to adapt to the different heights of the door panel and door frame.
3. Strong pressing performance.

●Material: Stainless steel 304,iron (SPCC)

●Uses: Electric box,electric cabinet and industrial equipment.



商品型號	材質
DK-126-1	不鏽鋼
DK-126-2	鐵