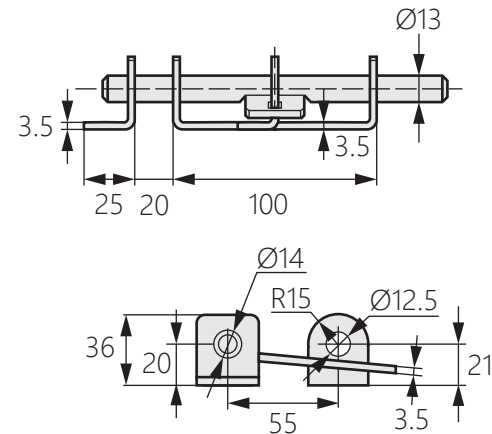
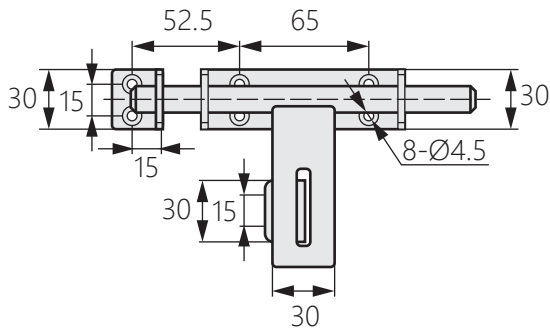
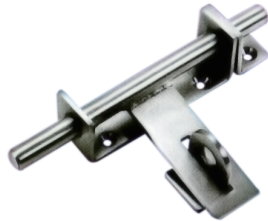


# 不鏽鋼插銷

Stainless steel cutting



DK-1007



商品介紹 Product description

最大靜載荷：80KG。

- 材質：不鏽鋼SUS304。
- 表面處理：拉絲、拋光。
- 用途：烤箱設備、試驗箱等

Maximum static load: 80KG.

- Material: Stainless steel SUS304
- Finish: Brushed and polished.
- Uses: Oven equipment, test chambers, etc.