

不鏽鋼插銷

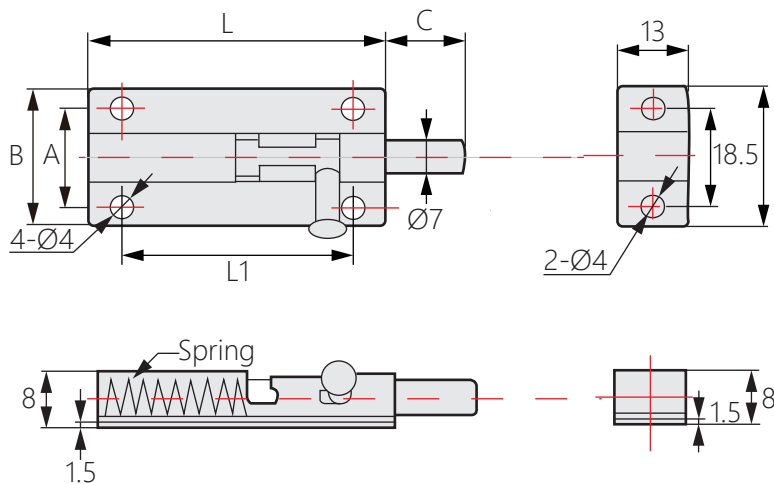
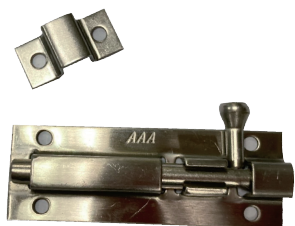


DK-1001

Stainless steel cutting

商品介紹 Product description

- 材質：不鏽鋼SUS304
 - 用途：電箱、電櫃、工業設備。
-
- Material: Stainless steel SUS304
 - Uses: Electric box, electric cabinet and industrial equipment.
-



商品型號	L	A	B	L1
DK-1001-1	50	19	27	33
DK-1001-2	62	19	27	44.5
DK-1001-3	74	19	27	52
DK-1001-4	99	19	26	69.5
DK-1001-5	124	18.5	26	100
DK-1001-6	148	18.5	26	124.5