

不鏽鋼旋轉搭扣

Stainless steel turn buckle



DK-062



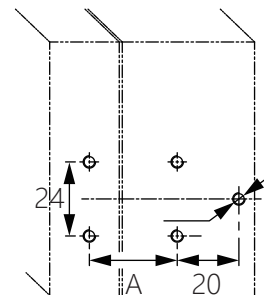
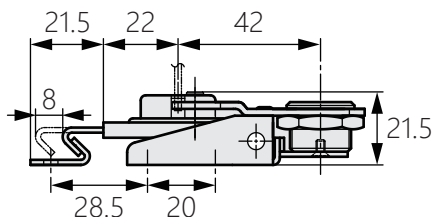
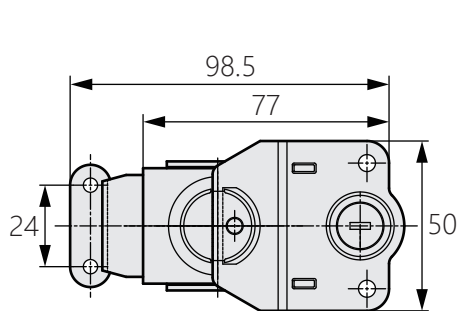
商品介紹 Product description

由不銹鋼製成，經久耐用且耐腐蝕。

- 材質：不鏽鋼(SUS304)
- 表面處理：滾筒拋光
- 用途：控制面板、工業機械等

Made of stainless steel for durability and corrosion resistance.

- Material: Stainless(SUS304)
- Finish: Barrel polishing
- Uses: Control panel, Industrial machinery, etc.



商品型號	A
DK-062-1	28.5
DK-062-2	13