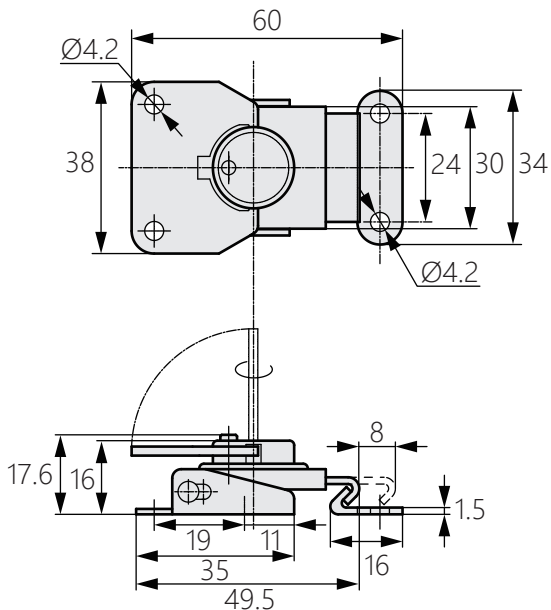


不鏽鋼旋轉搭扣

Stainless steel turn buckle



DK-060



商品介紹 Product description

- 1.由不銹鋼製成，經久耐用且耐腐蝕。
- 2.左右兼用型。

- 材質：不鏽鋼(SUS304)
- 表面處理：滾筒拋光
- 用途：控制面板、工業機械等

1. Made of stainless steel for durability and corrosion resistance.
2. Use in both of right and left.

- Material: Stainless(SUS304)
- Finish: Barrel polishing
- Uses: Control panel, Industrial machinery, etc.

