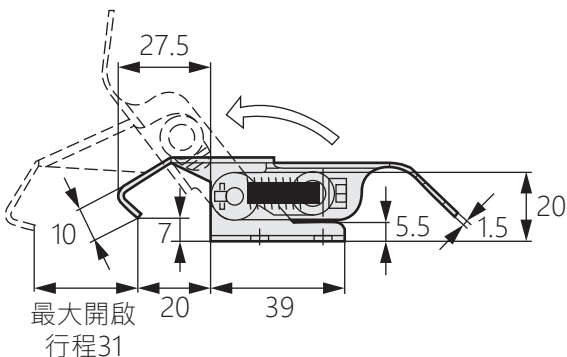


迫緊式搭扣

Pressing buckle



DK-050



商品介紹 Product description

- 1.可加掛鎖·適合於震動設備上安裝。
- 2.通過旋轉旋鈕來強力緊固·扣緊力強。

- 材質：鐵(SPCC)
- 表面處理：鍍鎳
- 用途：集裝箱、機械設備等

1. Padlock can be added, suitable for installation on vibration equipment.
2. Strongly fasten by rotating the knob, and the fastening force is strong.

- Material: Iron
- Finish: Nickel plating
- Uses: Containers, machinery and equipment, etc.

