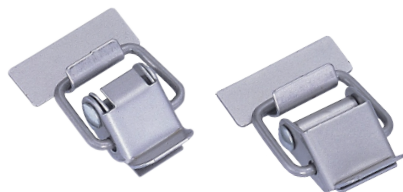


線環搭扣

Line latch



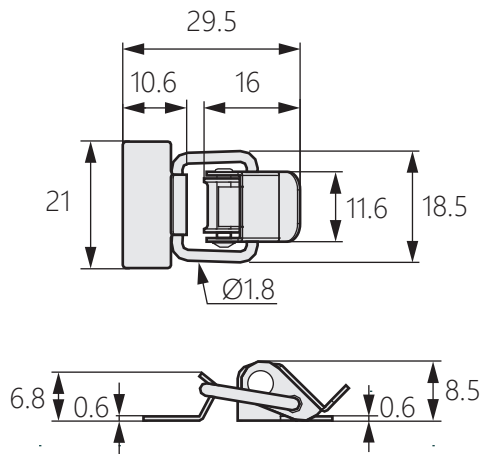
DK-029



商品介紹 Product description

- 材質：鋼材
 - 用途：烤漆箱體、工具盒等
-
- Material: Steel
 - Uses: Painted box, tool box, etc.
-

[DK-029-1]



[DK-029-2]

