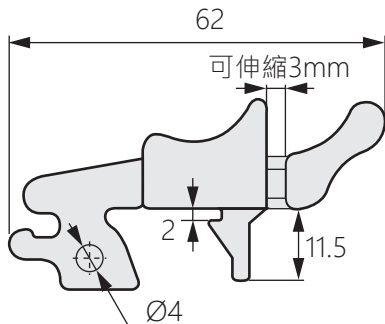


# 扳手

Wrench



DK-010



## 商品介紹 Product description

內置彈簧設計，插拔省力。

- 材質：冷軋鋼板、手柄包膠
- 表面處理：鍍鋅、黑色
- 用途：鈹金結構設備、抽屜等

Built-in spring design, labor-saving plugging and unplugging.

- Material: Cold rolled steel sheet, plastic
- Finish: Zinc plated, black
- Uses: Sheet metal structure equipment, drawers, etc.

